

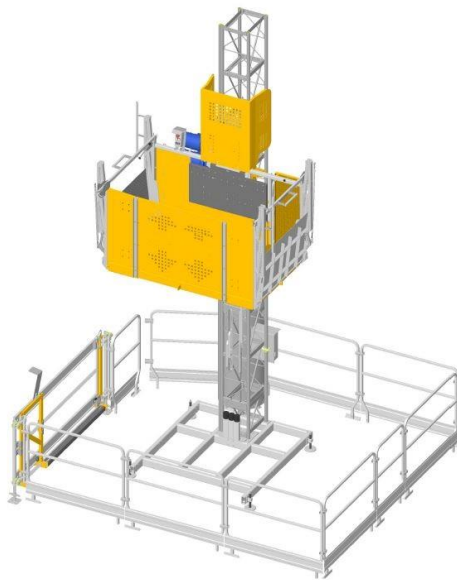


Original Instructions

TRANSPORT PLATFORM

BETA MAX

MC4000/3000 TP



PARTS MANUAL

Rev. 1.0 - 2016

1895 Robert J. Conlan Blvd
Palm Bay, FL 32905
P: 800.233.5112 --- F: 321.768.9517
www.betamaxhoist.com

Descriptions and photos are only to be considered as pure illustrations. They may or may not be exact representation due to updated and revised changes made to the product.

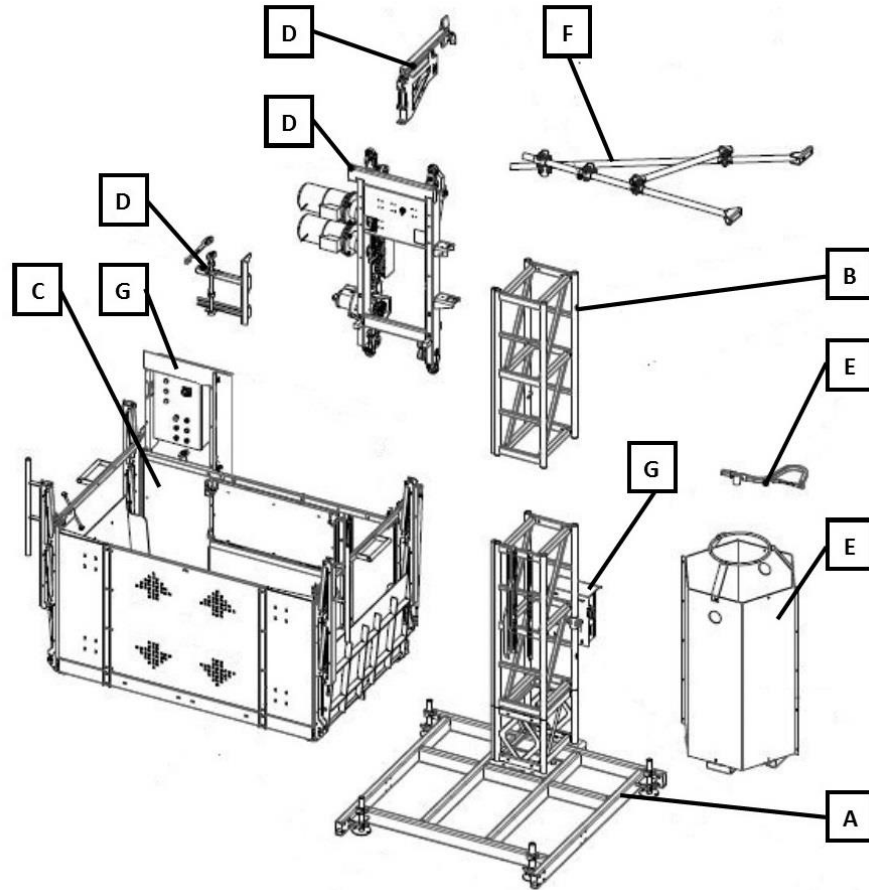
According to continuous technological innovations, Beta Max, Inc. reserves the right to make any modifications with the intention of improving the product without notice.

All rights reserved.

Copyright © 2016 BETA MAX, Inc.

Reproduction of this document by any means, in whole or in part, is prohibited without the authorization of BETA MAX, Inc.

Sections Exploded View



Item	Description	Page Number	Notes
A	Base Unit	1	----
B	Vertical Mast Section	3	----
C	Loading Unit	5	----
D	Lifting Unit	13	----
E	Electric Cable Guide Unit	23	----
F	Wall Tie Assembly	25	----
G	Electrical Control System	27	----
H	Accessories	47	----

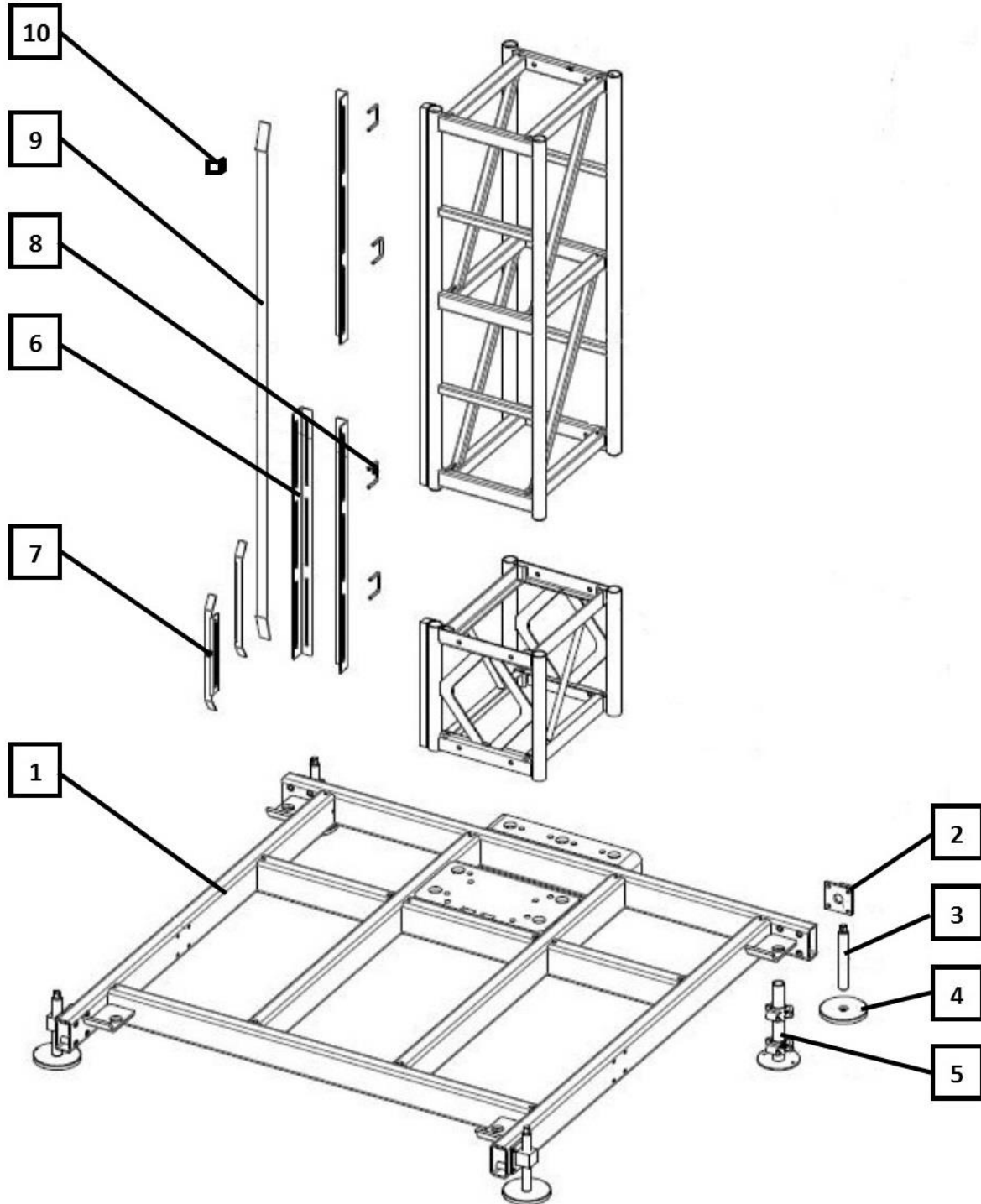


This page has been left blank for formatting purposes



This page has been left blank for formatting purposes

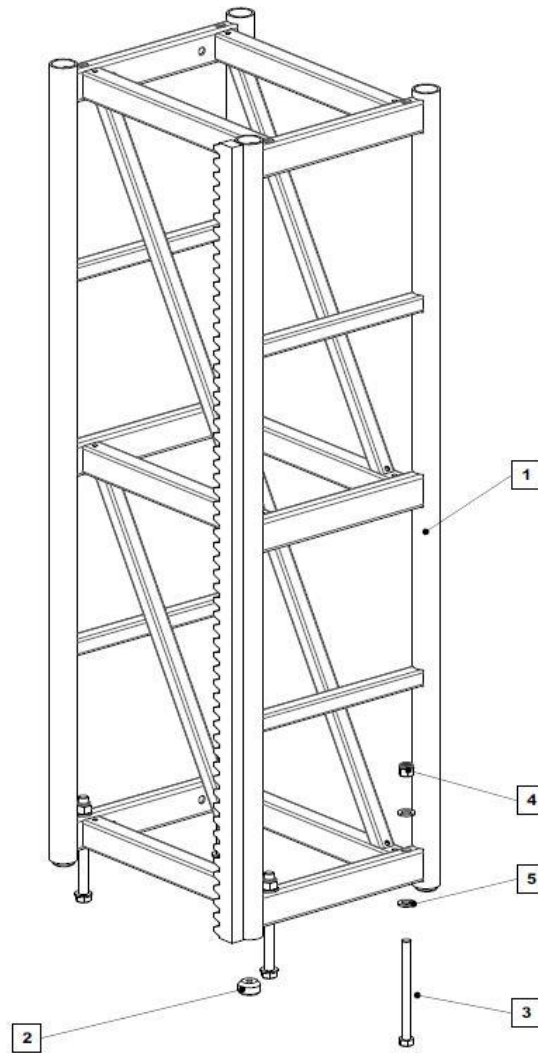
Section A – Base Unit





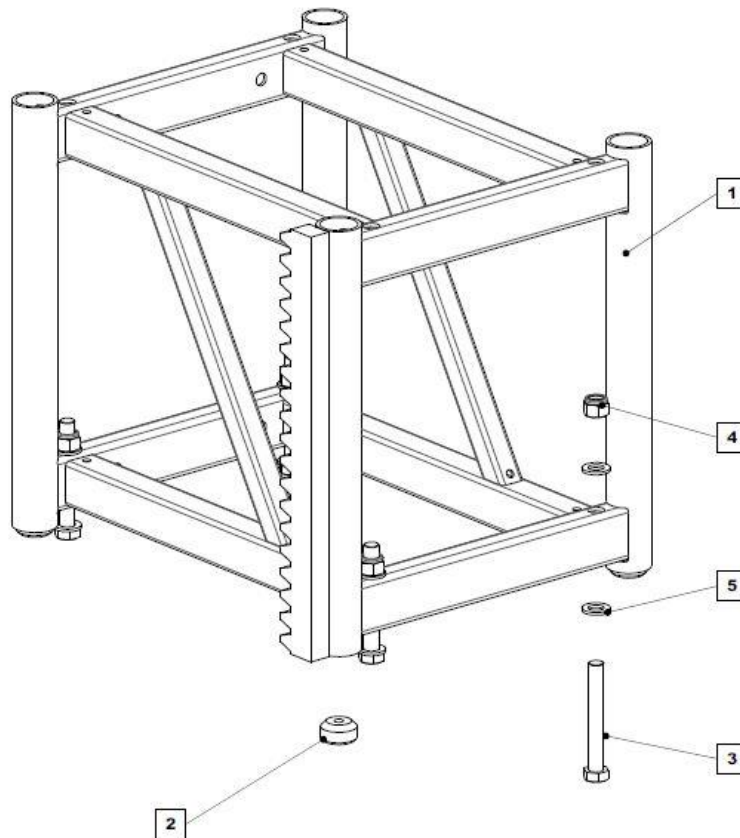
Item	Part Number	Description	Notes
1	##	Base Unit	----
2	10-296	Screw Jack Mount (Old Style)	----
3	10-283	Screw Jack (Old Style)	----
4	10-291	Screw Jack Pad (Old Style)	----
5	10-719	Screw Jack (New Style)	----
6	10-521	Cam Mounting Rail	----
7	10-513	Limit Switch Cam	----
8	10-715	U-Bolt	----
9	10-431	3-Meter Cam	----
10	15-23	Floor Stop Flag	----

Section B – Rectangular Mast



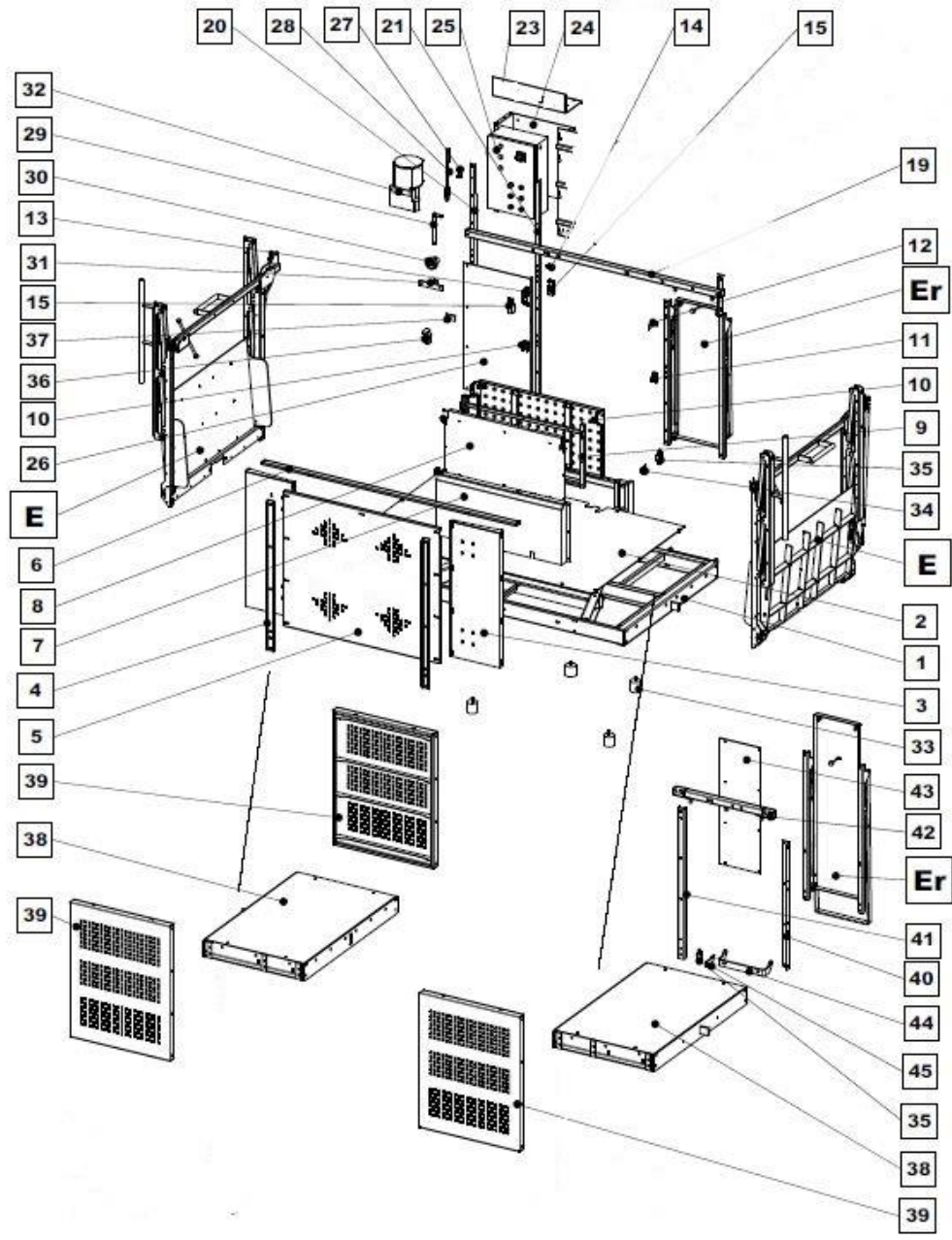
Item	Part Number	Description	Notes
1	10-901N	Rectangular Mast Section	----
2	10-438	Mast Pin	----
3	00000000001128	16mm x 180mm Mast Bolt	----
4	00000000001015	16mm Lock Nut	----
5	00000000001016	Washer	----

Rectangular Starter Mast



Item	Part Number	Description	Notes
1	10-896	Rectangular Starter Mast	----
2	10-438	Mast Pin	----
3	00000000001128	16mm x 180mm Mast Bolt	----
4	00000000001015	16mm Lock Nut	----
5	00000000001016	Washer	----

Section C – Loading Unit



Item	Part Number	Description	Notes
1	##	Loading Unit Base	----
2	##	Loading Unit Floor	----
3	10-777	Loading Unit Front Side Panels	----
4	##	Front Side Panel Mounting Rail	----
5	10-778	Front Face Panel	----
6	10-779	Front Face Top Rail	----
7	##	Rear Kick Panel (No Work Platform)	----
8	10-780	Work Platform Kick Panel	----
9	10-782	Work Platform Kick Panel Frame	----
10	10-781	Work Platform Base	----
11	##	Work Platform Mounting Bracket	----
12	##	Work Platform Latching Bracket	----
13	##	Work Platform Lock Bracket	----
14	##	Limit Switch Mounting Bracket	----
15	30-257	Keyed Limit Switch, Work Platform	----
19	10-783	Lifting Unit Back Top Rail	----
20	##	Control Box Mount Vertical Rail (L)	----
21	##	Control Box Mount Vertical Rail (R)	----
23	10-728	Control Box Mount Rain Hood	----
24	##	Control Box Mounting Shroud	----
25	##	Cabin Controller	----
26	10-784	Lifting Unit Rear Panel	----
27	##	Emergency Decent Handle Mount	----
28	##	Emergency Decent Handle	----
29	10-500-11	Safety Brake Reset Wrench	----
30	10-500-10	Safety Brake Reset Socket	----



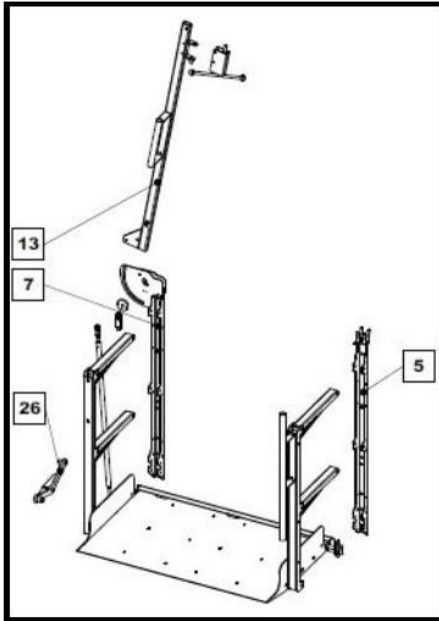
Item	Part Number	Description	Notes
31	##	Safety Brake Reset Tool Mount	----
32	10-757	Automatic Greaser	----
33	10-287	Safety Bumper	----
34	30-496	Erection Platform Limit SW Mount	----
35	10-555	Erection Platform Limit Switch	----
36	##	Safety Harness Tie-off Point	----
37	00000000002111	Work Platform Latch Pin	----
38	##	Wing Extension Platform	----
39	10-785	Wing Extension Side Panels	----
40	10-787	Wing Ext Side Panel Filler Rail	----
41	##	Erection Platform Vertical Mount	----
42	10-786	Wing Ext Erection Platform Top Rail	----
43	10-599	Wing Ext Back Panel	----
44	30-281	Erection Platform Hinge Joint	----
45	30-262	Switch Support Plate, Erection Platform	----



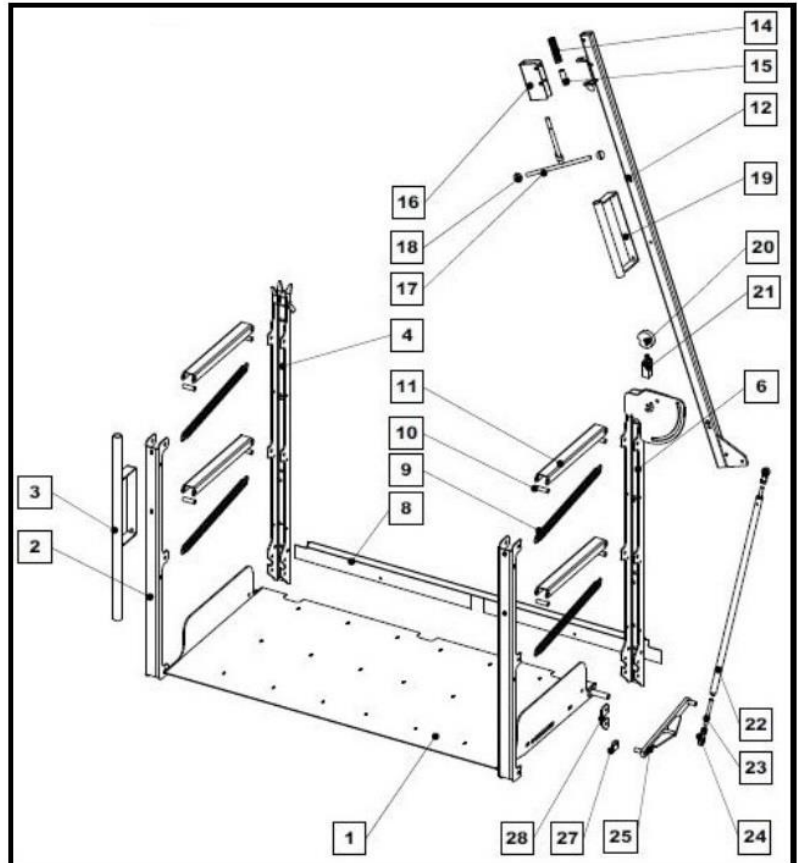
This page has been left blank for formatting purposes

Loading Ramps

Left Gate



Right Gate

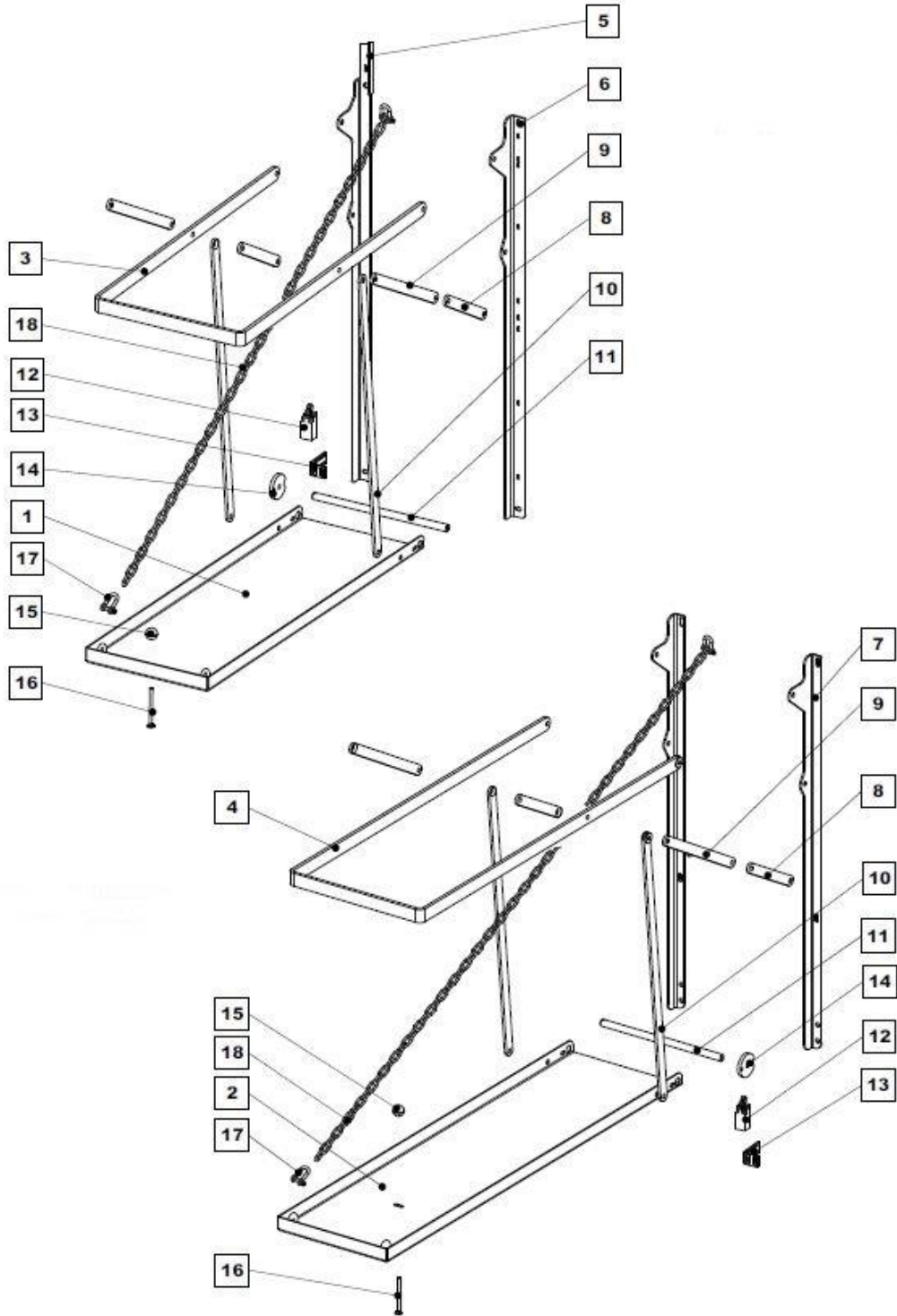


Item	Part Number	Description	Notes
--	10-788	Loading Ramp Complete, RT	----
--	10-789	Loading Ramp Complete, LT	----
1	10-795	Loading Ramp	----
2	10-691	Mount for Gate Hinge	----
3	10-464	Loading Gate Vertical Handle	----
4	10-514	Vertical Support Rail	----
5	10-891	Vertical Support Rail	----
6	10-515	Vertical Support Rail Hinge	----



Item	Part Number	Description	Notes
7	10-526	Vertical Support Rail Hinged	----
8	10-575	Loading Ramp Threshold	----
9	10-261	Ramp Springs	----
10	10-576	Spring Bushings	----
11	10-577	Loading Ramp Hand Rail	----
12	10-466	Loading Ramp Cross Guard (R)	----
13	10-465	Loading Ramp Cross Guard (L)	----
14	10-666	Latching Pin Spring	----
15	10-578	Latch Bushing	----
16	10-579	Latch Cover	----
17	10-430	Loading Ramp Latch Handle	----
18	10-667	T-Handle Ball	----
19	10-580	Loading Ramp Horizontal Handle	----
20	10-581	Loading Ramp Limit Switch Cam	----
21	10-555	Loading Ramp Limit Switch	----
22	10-417	Gate Ramp Brace	----
23	10-720	Threaded Insert	----
24	10-668	Ramp Heim Joint	----
25	30-245	RT Ramp Link	----
26	30-246	LT Ramp Link	----
27	30-244	Link Bushings	----
28	30-243	Ramp Hinge Lock	----

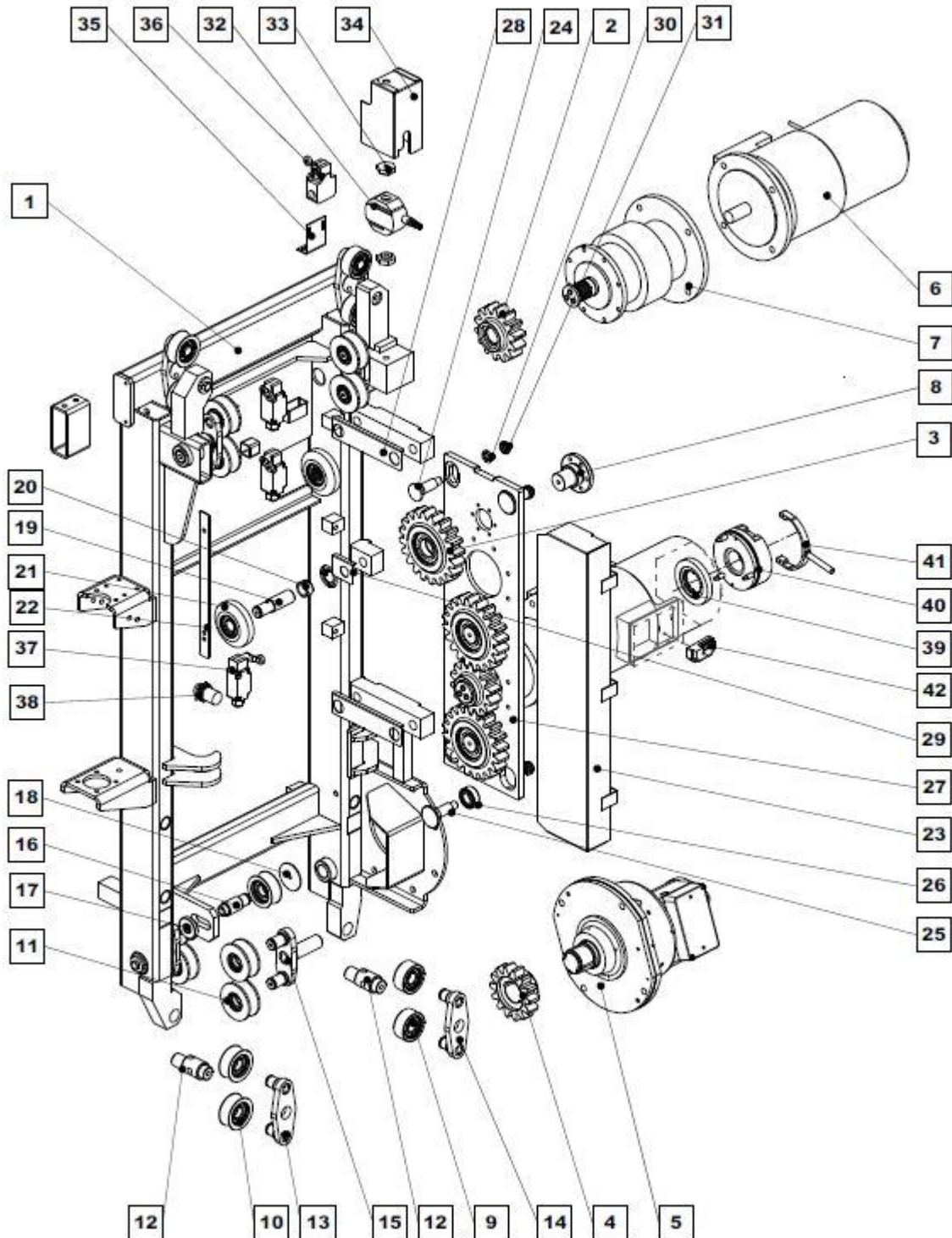
Erection Platform





Item	Part Number	Description	Notes
--	30-569	Short Erection Platform Assembly	----
--	10-768	Long Erection Platform Assembly	----
--	30-564	Erection Platform Hardware Kit	Hardware kit works on both platforms
1	10-730	Erection Platform (Short)	----
2	10-731	Erection Platform (Long)	----
3	30-491	Hand Rail (Short)	----
4	##	Hand Rail (Long)	----
5	##	Vertical Support Rail (Right)	----
6	##	Vertical Support Rail (Left)	----
7	30-490	Mounting Bracket	----
8	30-492	Actuator Link #1	----
9	30-493	Actuator Link #2	----
10	30-494	Actuator Link #3	----
11	30-495	Hinge Pin	----
12	10-555	Erection Platform Limit Switch	----
13	30-496	Erection Platform Limit SW Mount	----
14	10-581	Limit Switch Rotating Cam	----
15	10-667	Handle Knob	----
16	##	Carriage Bolt	----
17	##	Chain Shackle	----
18	##	Chain	----

Section D – Lifting Unit





Item	Part Number	Description	Notes
1	10-472	Carriage	----
2	10-284	Motor Pinion Gear	----
3	10-285	Motor Idler Gear	----
4	10-714	Safety Brake Pinion Gear	----
5	10-726	Safety Brake	----
5	00000000002173	Limit Switch FR 1802-1	----
6	30-284	4.8Kw Motor	----
7	10-722	MR/40 Transmission	----
8	10-398	Idler Gear Mounting BKT	----
9	10-670	Guide Roller (Rack Side)	----
10	10-669	Guide Roller	----
11	10-671	Guide Roller	----
12	10-297	Offset Guide Roller Pin	----
13	10-298	Dual Guide Roller BKT	----
14	10-298	Dual Guide Roller BKT	----
15	10-292	Double Roller Mount	----
16	10-397	Straight Guide Roller Pin	----
17	10-399	Guide Pin Spacer	----
18	30-279	Lock Washer, Roller Pin	----
19	10-294	Backup Roller Guide Pin	----
20	10-295	Roller Spacer	----
21	10-500-3-2	Backup Roller	----
22	30-264	Support Plate, Back-up Roller	----
23	10-474	Pinion Gear Dust Shield	----
24	30-265	Guide Pin, Motor Plate, Top	----
25	30-266	Guide Pin, Motor Plate, Bottom	----

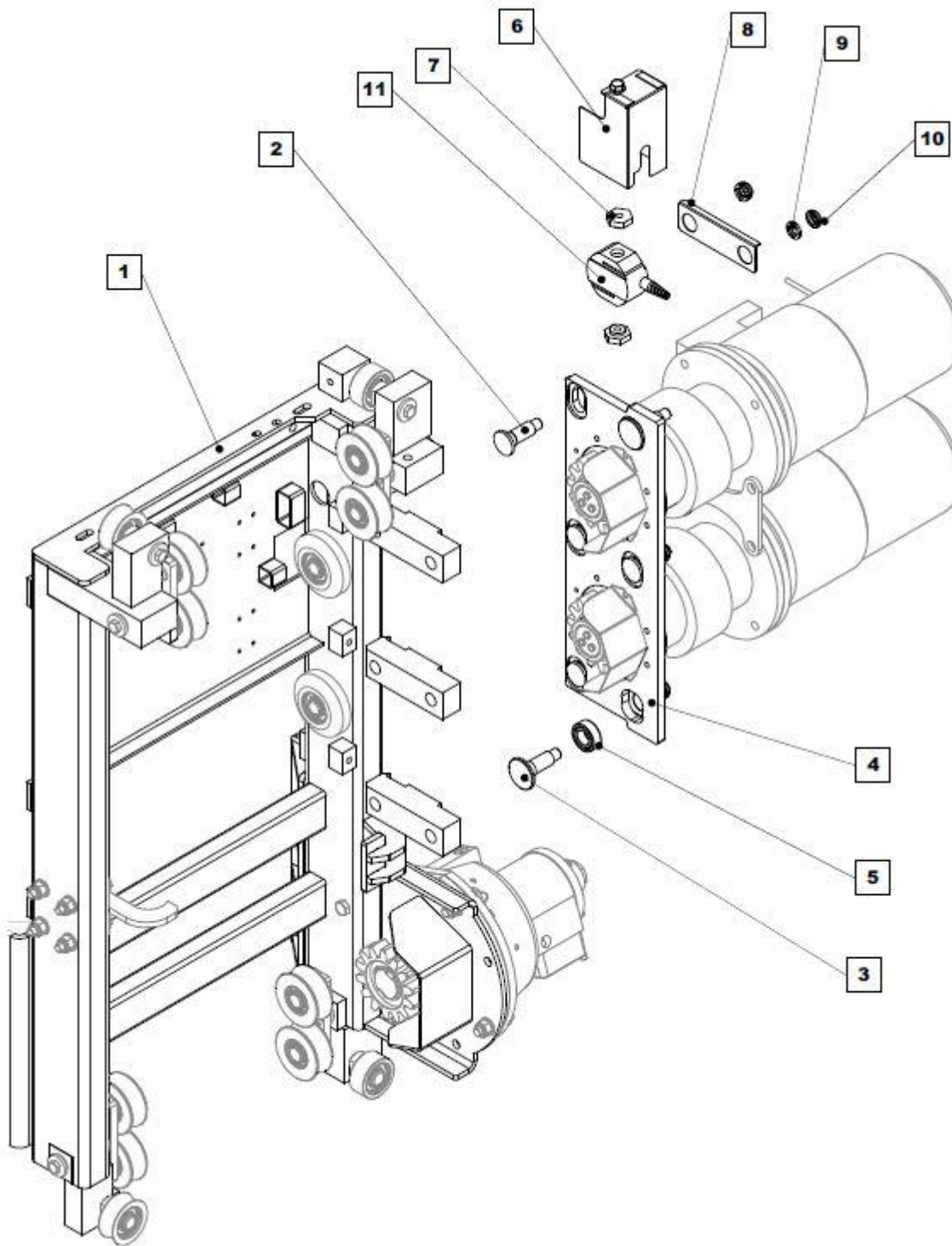


Item	Part Number	Description	Notes
26	30-267	Bearing	----
27	30-255	Motor Mounting Plate	----
28	30-263	Support Plate, Motor Plate Spacer	----
29	30-268	Support Plate, Plate Spacer	----
30	30-269	Cover, Motor Plate Bearing	----
31	##	Nut	----
32	30-229	Transducer	----
33	30-230	Load Cell Spacer	----
34	##	Load Cell Cover	----
35	10-396	No Mast Limit Switch BKT	----
36	00000000001705	No Mast Limit Switch	----
37	00000000001707	Limit Switch (3M, Up, Down, OT)	----
38	10-500-3-4	Floor Stop Sensor	----
39	10-432	Motor Brake Pad MGM	----
40	10-289	Motor Brake Coil	----
41	10-288	Motor Brake Release Yoke	----
42	10-608	Motor Brake Rectifier	----



This page has been left blank for formatting purposes

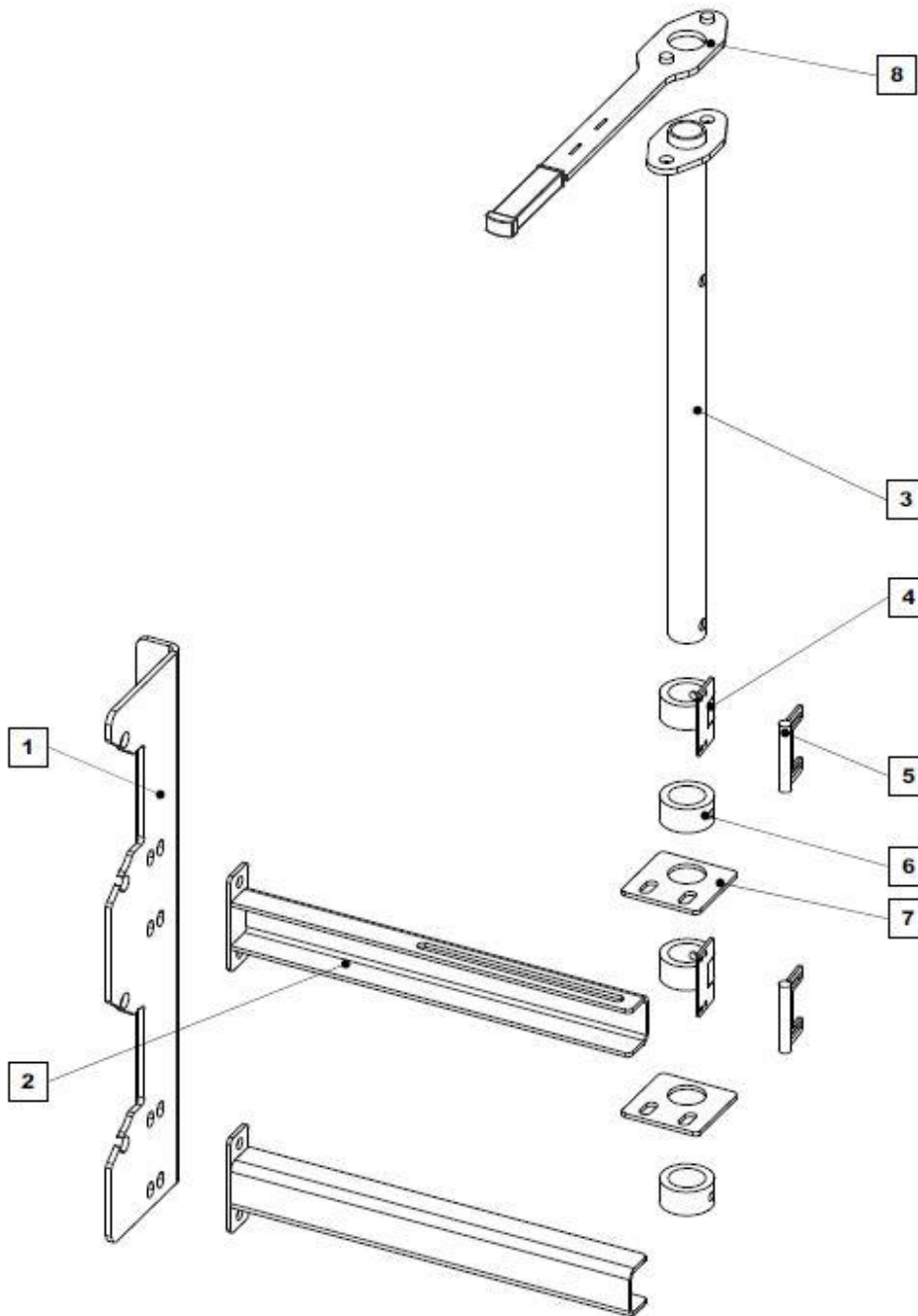
Motor Plate Assembly





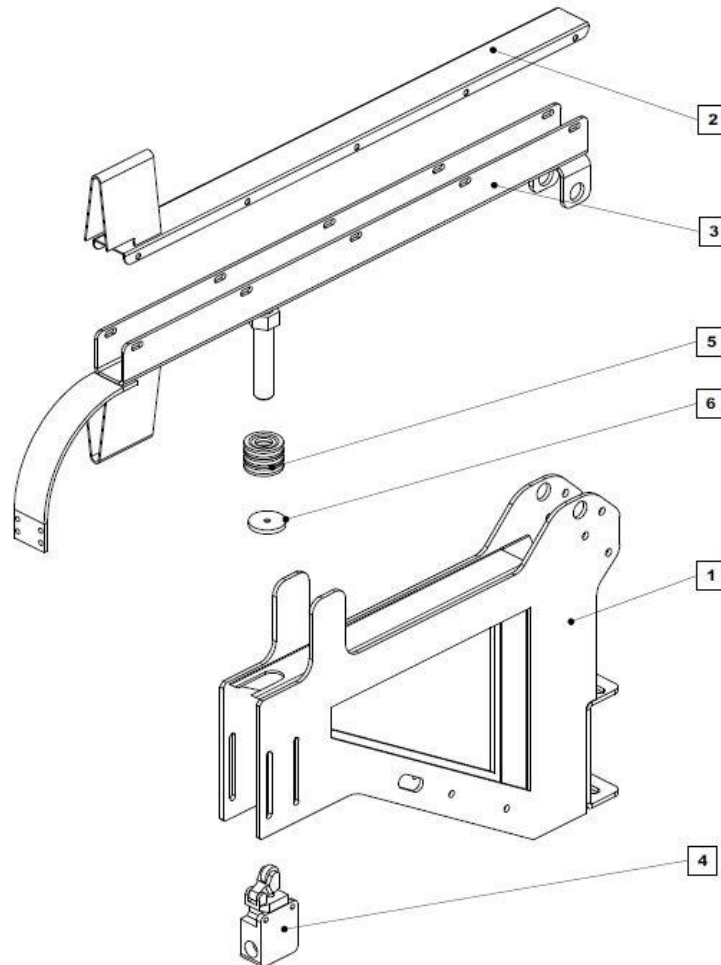
Item	Part Number	Description	Notes
--	##	Motor Plate Assembly	----
1	10-472	Lifting Unit Carriage	----
2	30-265	Guide Pin, Motor Plate, Top	----
3	30-266	Guide Pin, Motor Plate, Bottom	----
4	30-255	Motor Plate	----
5	30-267	Bearing, Motor Plate	----
6	##	Load Cell Cover	----
7	30-230	Transducer Nut	(Not Sold Separately 30-232)
8	30-263	Support Plate, Plate Spacer	----
9	##	Castle Nut	----
10	30-269	Castle Nut, Motor Plate Bearing	----
11	30-229	Transducer, Load Cell	(Not Sold Separately 30-232)

Emergency Decent System



Item	Part Number	Description	Notes
-	30-235	Emergency Decent Assembly	----
1	##	Vertical Mount	----
2	##	Horizontal Mount	----
3	##	Actuator Tube	----
4	##	Actuator Collar	----
5	##	Actuator Tab	----
6	##	Spacer Collar	----
7	##	Mounting Plate	----
8	30-386	Emergency Decent Handle	----

Gooseneck Assembly

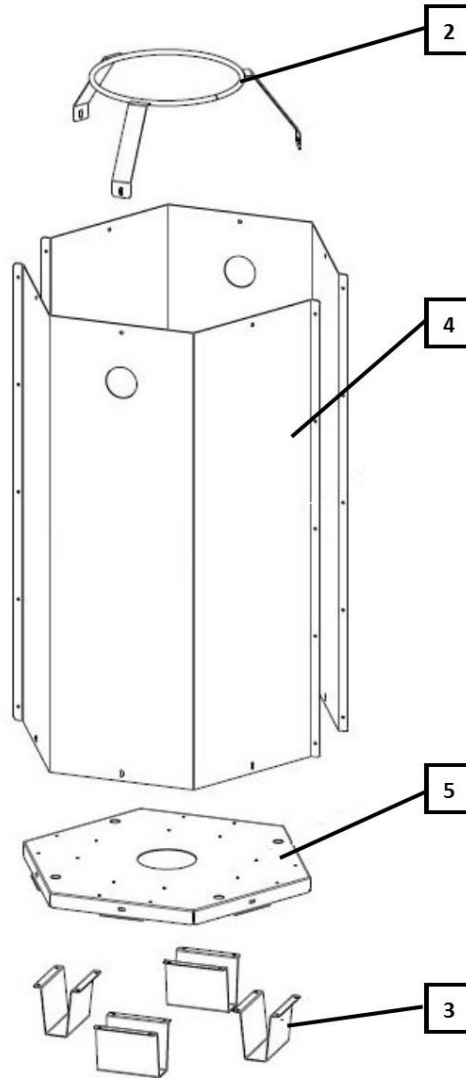


Item	Part Number	D	Notes
--		Gooseneck Assembly	Includes Hardware
1	10-606	Gooseneck Mount	----
2	10-790	Gooseneck cover	----
3	10-791	Gooseneck	----
4	10-555	Limit Switch	----
5	10-604	Flex Disks	----
6	10-605	Washer	----



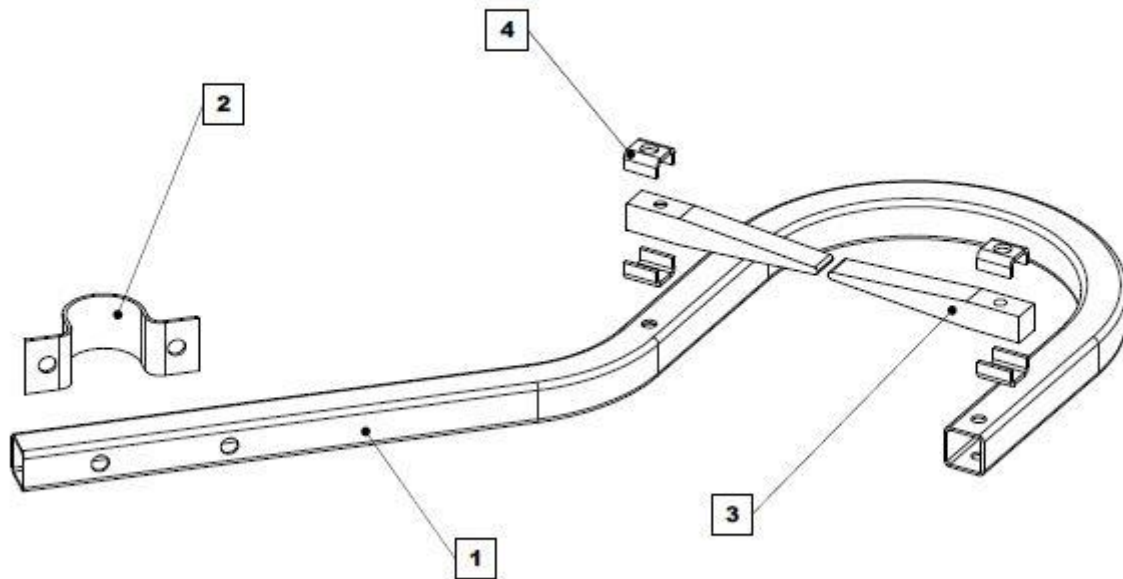
This page has been left blank for formatting purposes

Section E – Electric Cable Guide Unit Cable Collector



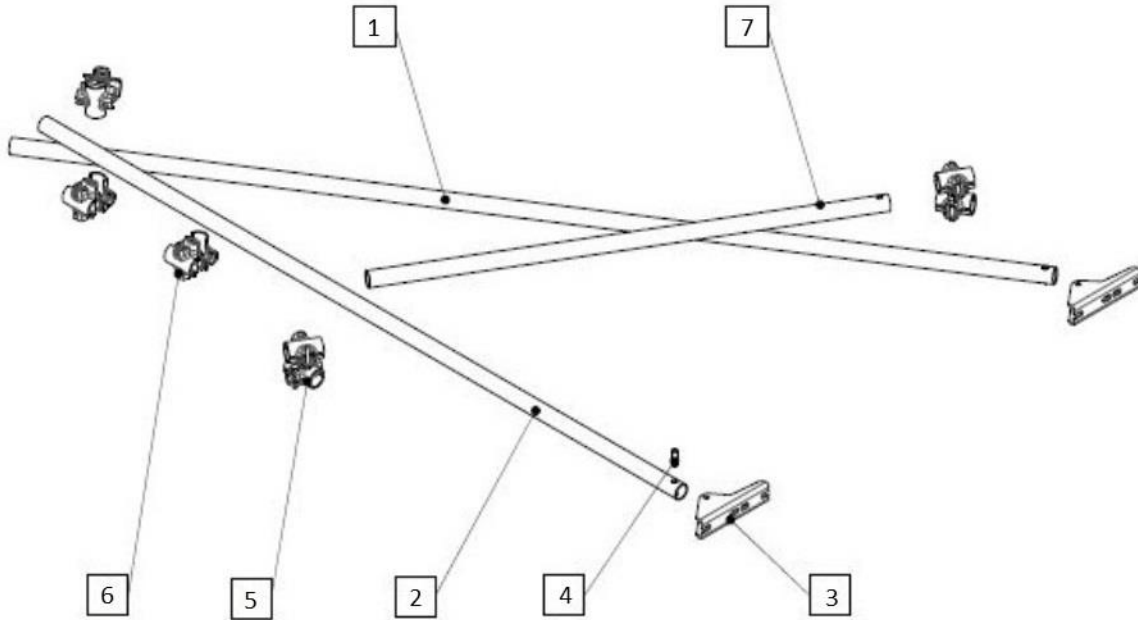
Item	Part Number	Description	Notes
-	10-235	Complete Cable Collector	---
2	10-888	Collector Ring	---
3	##	Feet	(Not Sold Separately)
4	##	Cable Drum	----
5	##	Cable Drum Base	(Not Sold Separately)

Cable Guide



Item	Part Number	Description	Notes
-	10-503	Cable Guide Assembly	Includes items 1 thru 4
1	##	Cable Guide Frame	----
2	10-481	Cable Guide Clamp	----
3	30-256	Cable Guide Fingers	----
4	##	Cable Guide Finger Keepers	----

Section F - Wall Tie Assembly

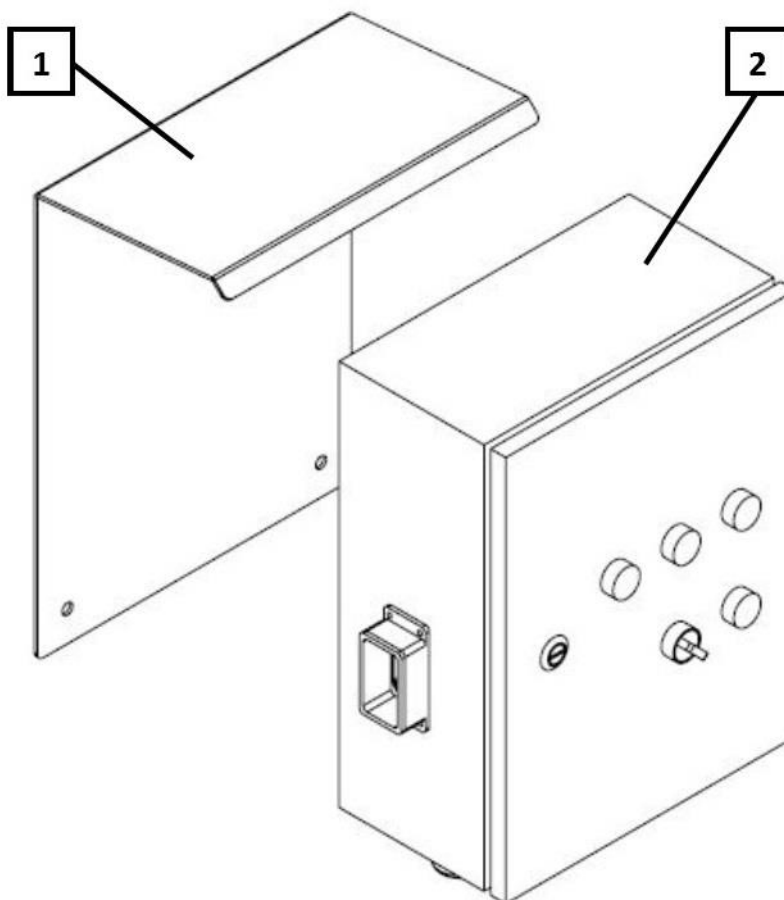


Item	Part Number	Description	Notes
-	30-989	Wall Tie Assembly	Includes all Items Below
1	30-988-1	158" Wall Tie Pole with Foot	----
2	30-988-2	118" Wall Tie Pole with Foot	----
3	10-221	Wall Tie Foot	----
4	##	Sleeve	----
5	10-518	DBL Swivel Clamp	----
6	10-329	Clamp, Fixed 90	----
7	30-988-3	108" Pole No-Foot	----
8	30-989-1	79" Pole No-Foot	Not Pictured Above



This page has been left blank for formatting purposes

Section G - Electrical Control System
Ground Control System

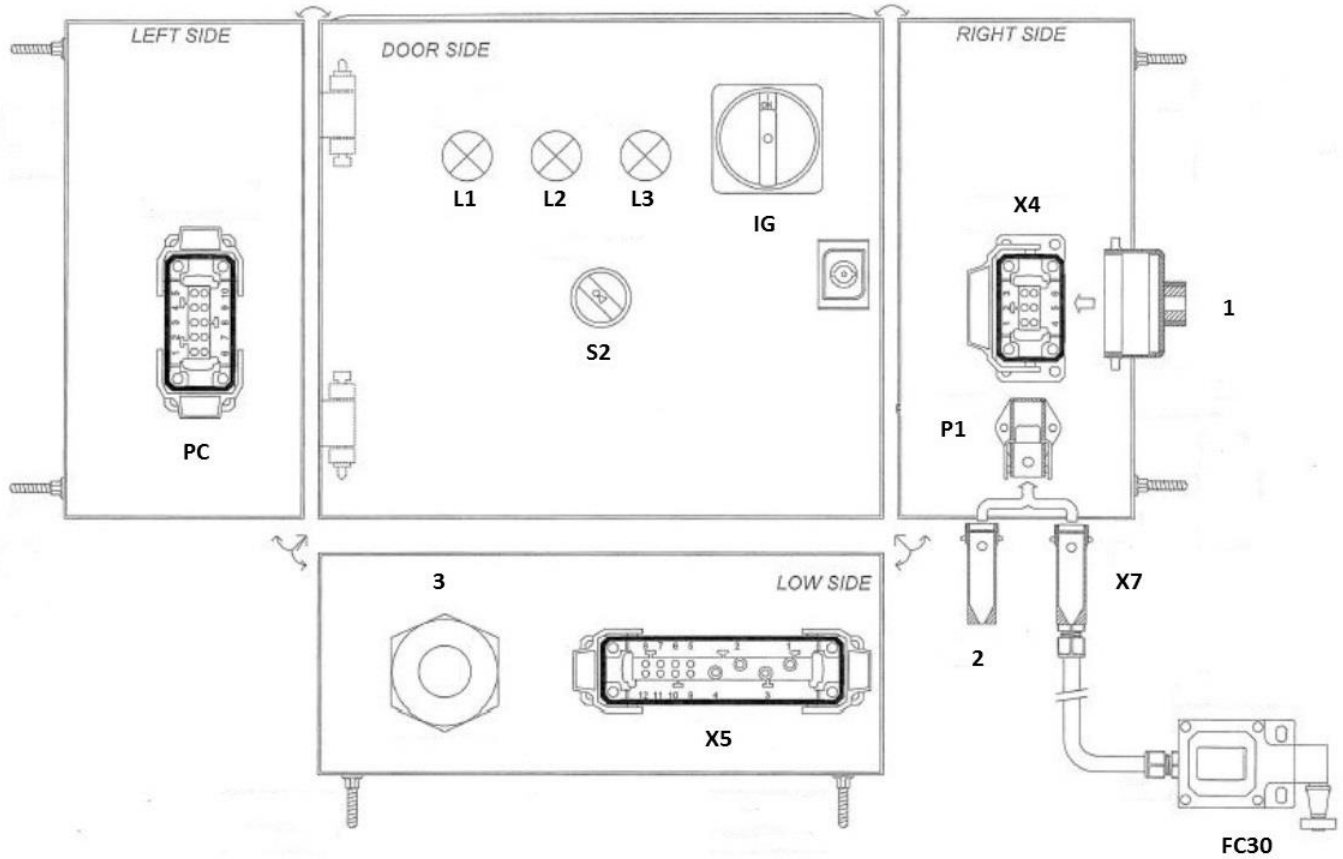


Item	Part Number	Description	Notes
-	##	Ground Control System	Includes Items 1 & 2
1	##	Mounting Bracket w/ Rain hood	---
2	##	Ground Controls Enclosure	---
3	30-967	Ground Control Pendant	Not Shown (Page 37)



This page has been left blank for formatting purposes

Ground Electrical Enclosure



Item	Part Number	Description	Notes
--	##	Ground Electrical Enclosure	----
PC	00000000001869	10B Bulkhead DBL Latching	----
PC	00000000001870	10B Insert Female	----
PC	30-396	Control Pendant By-pass Plug	Not Shown
L1	30-261	Indicator Light, GRN 220V	----
L2	30-261	Indicator Light, GRN 220V	----
L3	30-261	Indicator Light, GRN 220V	----
IG	##	Switch Handle	----
IG	##	Switch Handle Extension Rod	----
S2	##	Keyed Switch	----
S2	##	N.C. Contact Block	----
X4	00000000001871	6B Bulkhead Single Latch	----
X4	00000000001875	6B Insert Female	----
X4	30-439	Call Box By-pass Plug	Not Shown
P1	00000000001876	4B Bulkhead 90-degree Single Latch	----
P1	00000000001880	4B Insert Female	----
P1	10-282	Ground Enclosure By-pass plug	Not Shown
X7	00000000001877	4B Hood Top Entry PG11	----
X7	00000000001879	4B Insert Male	----
FC30	##	Limit Switch Ground Enclosure	----
X5	00000000001860	24B Bulkhead DBL Latch	----
X5	00000000001862	24B Insert 4&8 Pole Female	----
1	00000000001872	6B Hood Top Entry PG16	----
1	00000000001874	6B Insert Male	----
2	10-282	Ground Gate By-Pass Plug	Assembly
2	00000000001877	4B Hood Top Entry PG11	----

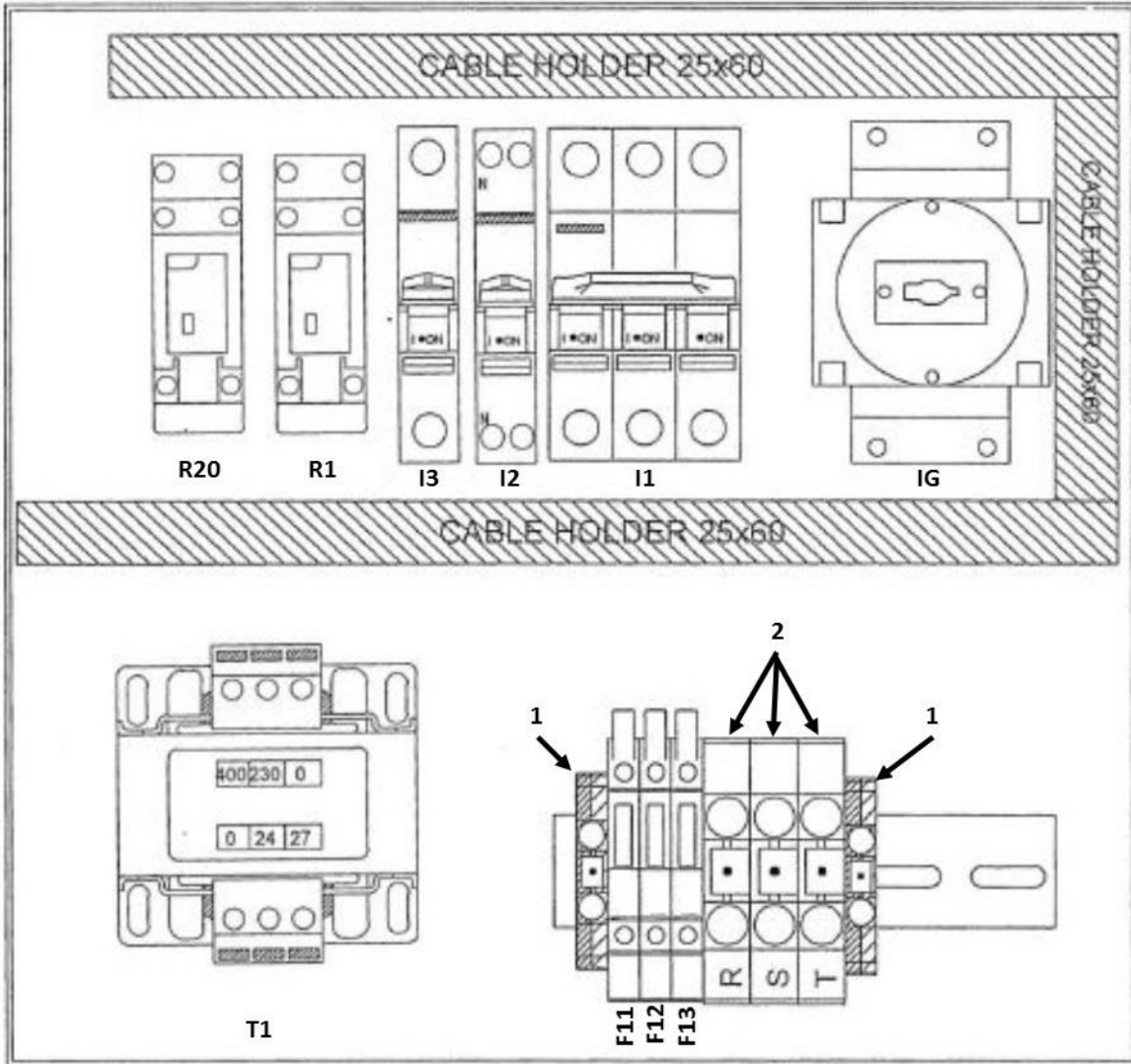


2	00000000001879	4B Insert Male	----
3	##	Cord Connector	----



This page has been left blank for formatting purposes

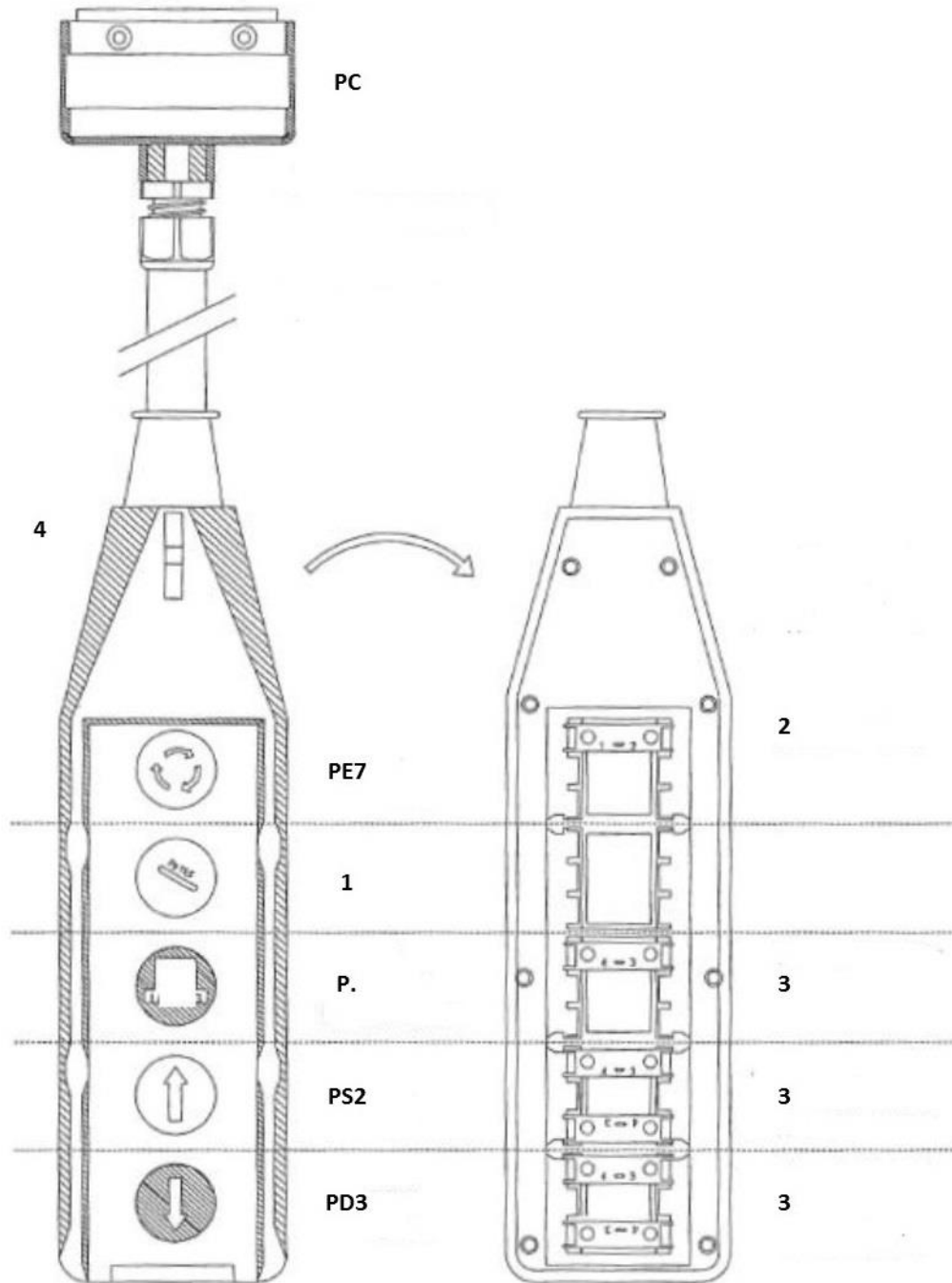
Baseplate - Ground Enclosure





Item	Part Number	Description	Notes
R20	00000000001986	Relay Base	----
R20	00000000001987	Relay	----
R1	00000000001986	Relay Base	----
R1	00000000001987	Relay	----
I3	00000000001982	Circuit Breaker	----
I2	00000000002386	Circuit Breaker	----
I1	00000000001885	Circuit Breaker	----
IG	00000000002144	Main Switch Base	----
T1	00000000001985	Transformer	----
F11	##	Fuse Holder	----
F11	00000000002162	Fuse	----
F12	##	Fuse Holder	----
F12	00000000002162	Fuse	----
F13	##	Fuse Holder	----
F13	00000000002162	Fuse	----
1	00000000001975	Ground Terminal Block	----
2	00000000001974	Terminal Block	----

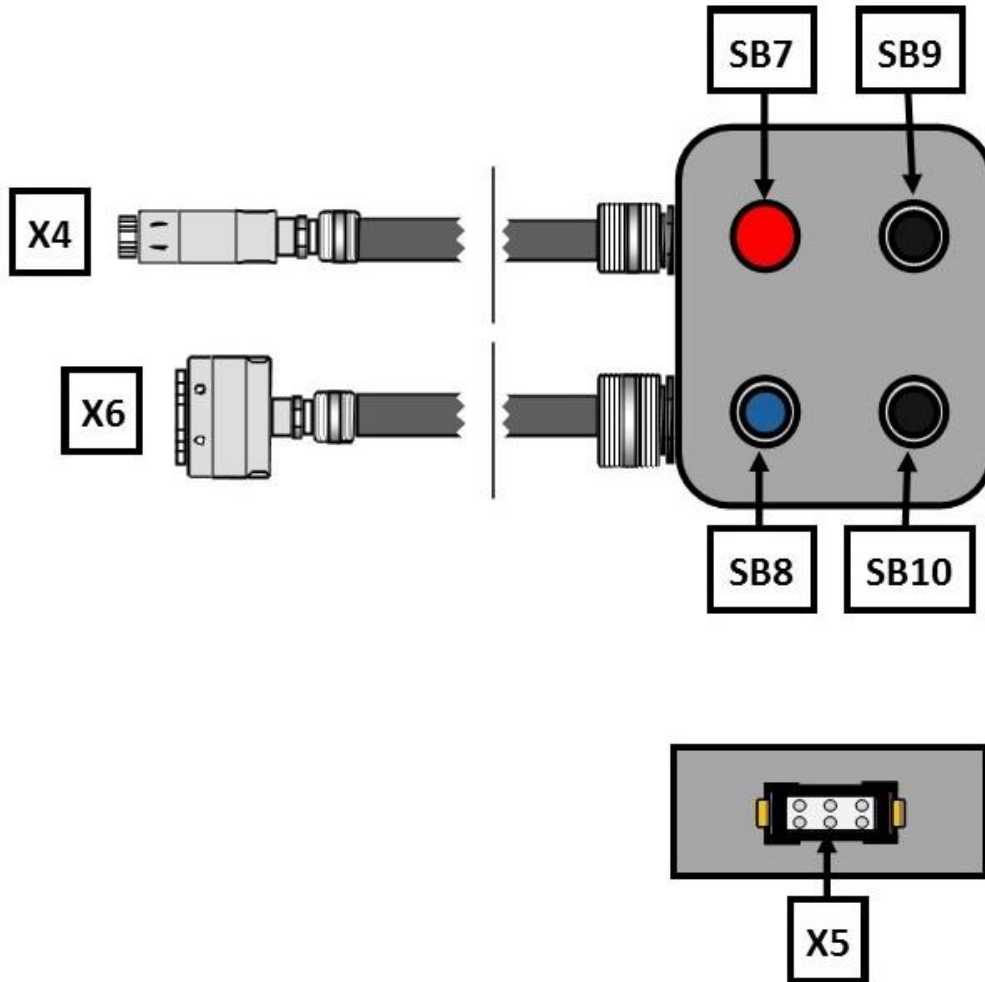
Control Pendant





Item	Part Number	Description	Notes
-	30-967	Ground Control Pendant	Includes all items below
PC	##	10B Hood Side Entry 4 Peg	---
PC	000000000000018	10B Insert Male	---
PE7	000000000001025	E-Stop Button	---
P.	000000000002115	Pushbutton	---
PS2	10-674	Pushbutton	---
PD3	10-675	Pushbutton	---
1	000000000002012	Hole Plug	---
2	000000000001730	N.C. Contact Block	---
3	10-678	N.O. Contact Block	---
4	---	Pendant Housing	Not Sold Separately (30-967)

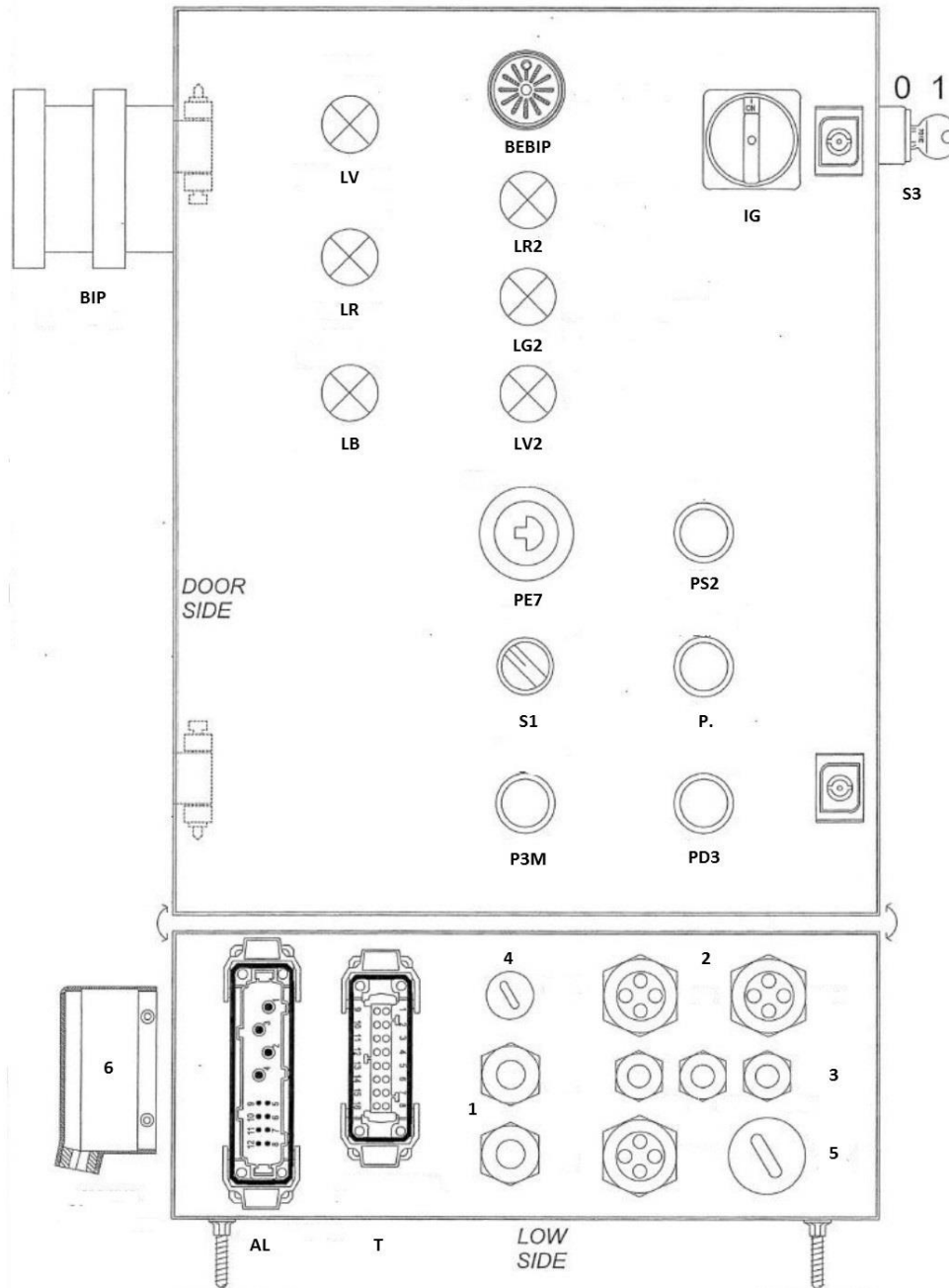
Floor Call Box





Item	Part Number	Description	Notes
-	30-968	Floor Call Box Assembly	Includes All Items Below
X4	00000000001286	Hood, Cable to Cable 4 Pin	----
X4	00000000000242	Insert 4B Female	----
X6	00000000001872	Hood 6B Top ENT PG16 MT SNGL	----
X6	00000000000831	Insert 6B 6 Pole Male	----
SB7	30-954	E-Stop Assembly	----
SB7	00000000001519	Contact Block N.C.	----
SB8	00000000001755	Pushbutton BLU	----
SB8	00000000001729	Contact Block N.O.	----
SB9	00000000001720	Pushbutton BLK	----
SB9	00000000001729	Contact Block N.O.	----
SB10	00000000001720	Pushbutton BLK	----
SB10	00000000001729	Contact Block N.O.	----
X5	00000000001871	Base 6B Bulkhead MT SNGL Lever	----
X5	00000000001875	Insert 6B 6 Pole Female	----

Cabin Controls Enclosure



Item	Part Number	Description	Notes
BIP	30-233	3 Meter Audible Siren	----
LV	30-259	Indicator Light, GRN 24V	----
LR	30-258	Indicator Light, RED 24V	----
LB	30-260	Indicator Light, BLU 24V	----
BEBIP	00000000002169	Overload Audible Siren	----
LR2	30-258	Indicator Light RED	----
LG2	##	Indicator Light YW	----
LV2	30-259	Indicator Light GRN	----
IG	00000000002144	Main Switch	----
IG	##	Main Switch Handle	----
IG	##	Main Switch Handle Extension	----
S3	##	Keyed Switch Momentary	----
S3	00000000002072	N.C. Contact Block (1)	----
S3	00000000002073	N.O. Contact Block (2)	----
PE7	10-673	E-Stop	----
PE7	00000000002072	N.C. Contact Block	----
PS2	10-674	Pushbutton Wht w/ UP BLK Arrow	----
PS2	00000000002073	N.O. Contact Block (2)	----
S1	##	Keyed Switch	----
S1	00000000002172	KEY	----
S1	00000000002072	N.C. Contact Block (3)	----
S1	00000000002073	N.O. Contact Block (2)	----
P.	10-675	Pushbutton BLK	----
P.	00000000002073	N.O. Contact Block (1)	----
P3M	10-675	Pushbutton BLK w/ DOWN WHT Arrow	----
P3M	00000000002073	N.O. Contact Block (1)	----

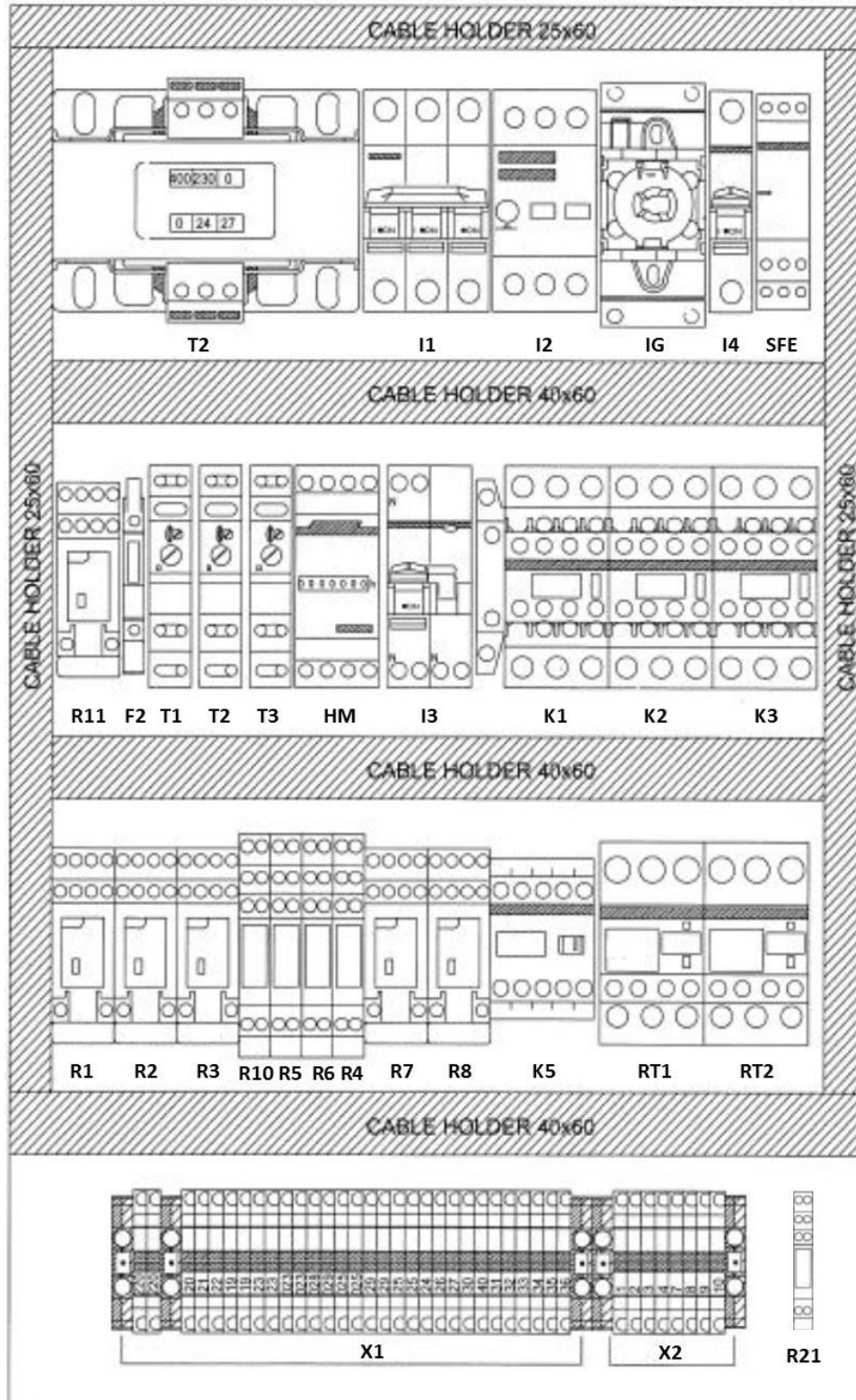


Item	Part Number	Description	Notes
PD3	00000000002073	N.O. Contact Block (2)	----
PD3	10-675	Pushbutton BLK w/DOWN WHT Arrow	----
AL	00000000001860	24B Bulkhead Connector DBL Latch	----
AL	00000000001861	24B Insert 4&8 Pole Male	----
T	00000000001864	16B Bulkhead Connector DBL Latch	----
T	00000000001867	16B Insert Female	----
T	30-273	Drop-test Pendant By-pass Plug	Not Shown
1	##	PG21 Connector	----
2	00000000001857	PG29 Connector w/ 4 1.5 Insert	----
3	##	PG16 Connector	----
4	00000000001868	PG21 Blank Plug	----
5	00000000002132	PG29 Blank Plug	----
6	00000000001865	16B Hood Side Entry	----
6	00000000001866	16B Insert Male	----



This page has been left blank for formatting purposes

Baseplate – Cabin Enclosure



Item	Part Number	Description	Notes
T2	10-473	Transformer	----
I1	00000000001885	Circuit Breaker 3P 50A	----
I2	##	Overload	----
IG	00000000002144	Main Switch	----
IG	##	Main Switch Handle	----
IG	##	Main Switch Handle Extension	----
I4	##	Circuit Breaker 1P 10A	----
SFE	00000000002158	Phase Monitor	----
R11	00000000002042	Relay Base	----
R11	00000000002041	Relay	----
F2	##	Fuse Holder	----
F2	00000000002161	Fuse	-----
T1	30-429	Timer	----
T2	30-429	Timer	----
T3	30-429	Timer	----
HM	##	Hour Meter	----
I3	00000000001981	Circuit Breaker 2P 13A	----
K1	00000000001964	Contactor	----
K1	00000000002114	Side Auxiliary	----
K1	00000000001833	Auxiliary	----
K2	00000000001964	Contactor	----
K2	00000000001833	Auxiliary	----
K3	00000000001964	Contactor	----
K3	00000000001833	Auxiliary	----
R1	00000000002042	Relay Base	----
R1	00000000002041	Relay	----
R2	00000000002042	Relay Base	----

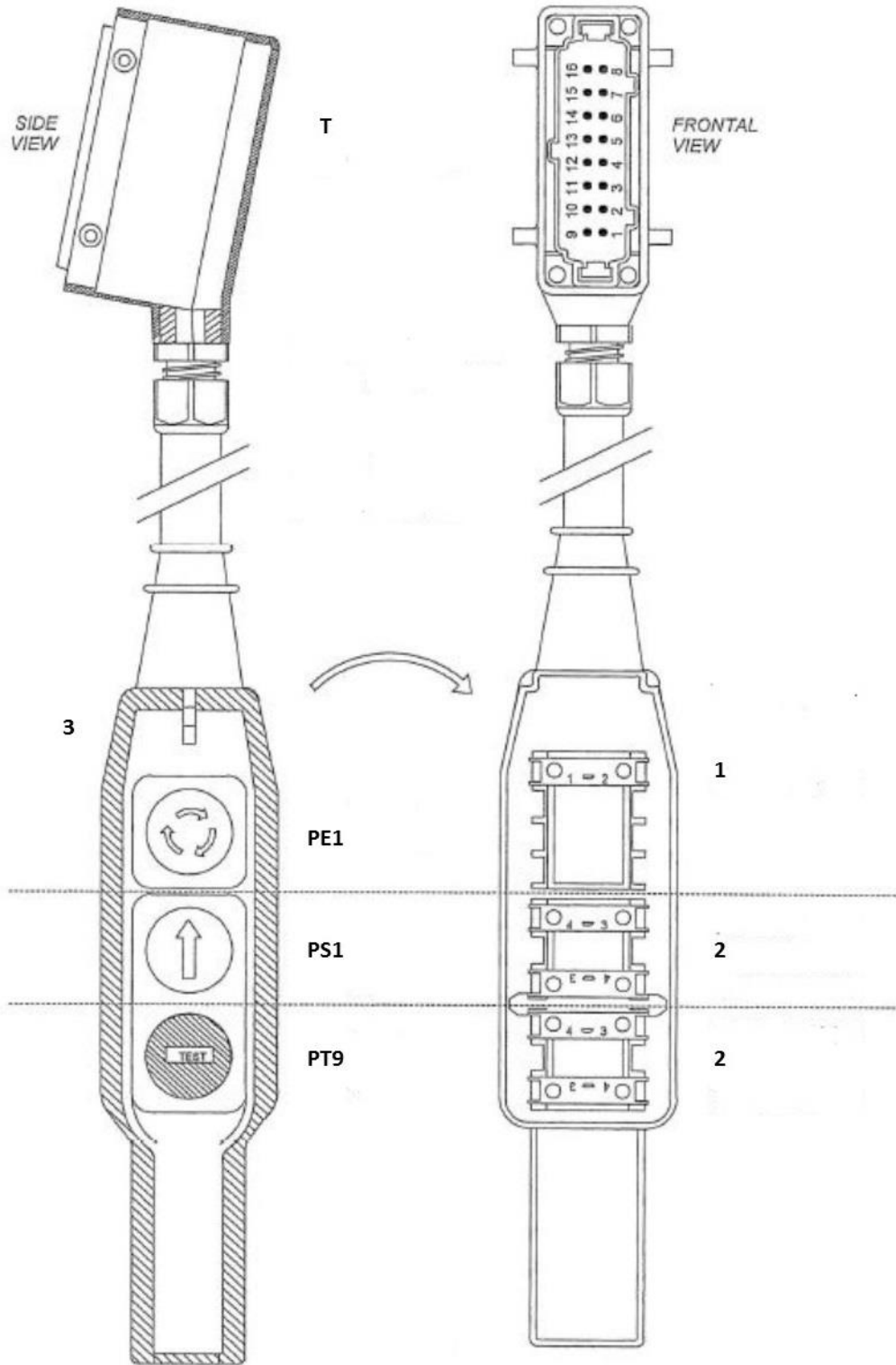


Item	Part Number	Description	Notes
R2	00000000002041	Relay	----
R3	00000000002042	Relay Base	----
R3	00000000002041	Relay	----
R10	00000000001986	Relay Base	----
R10	00000000001987	Relay	----
R5	00000000001986	Relay Base	----
R5	00000000001987	Relay	----
R6	00000000001986	Relay Base	----
R6	00000000001987	Relay	----
R4	00000000001986	Relay Base	----
R4	00000000001987	Relay	----
R7	00000000002042	Relay Base	----
R7	00000000002041	Relay	----
R8	00000000002042	Relay Base	----
R8	00000000002041	Relay	----
K5	00000000002159	Contactor	----
RT1	00000000002160	Terminal Block, Overload	----
RT1	00000000002217	Thermal Overload 16-24a	
RT2	00000000002160	Terminal Block, Overload	----
RT2	00000000002217	Thermal Overload 16-24a	
X1	##	Terminal Block	----
X1	##	Grounding Terminal Block	----
X2	##	Terminal Block	----
X2	##	Grounding Terminal Block	----
R21	00000000001986	Relay Base	----
R21	00000000001987	Relay	----



This page has been left blank for formatting purposes

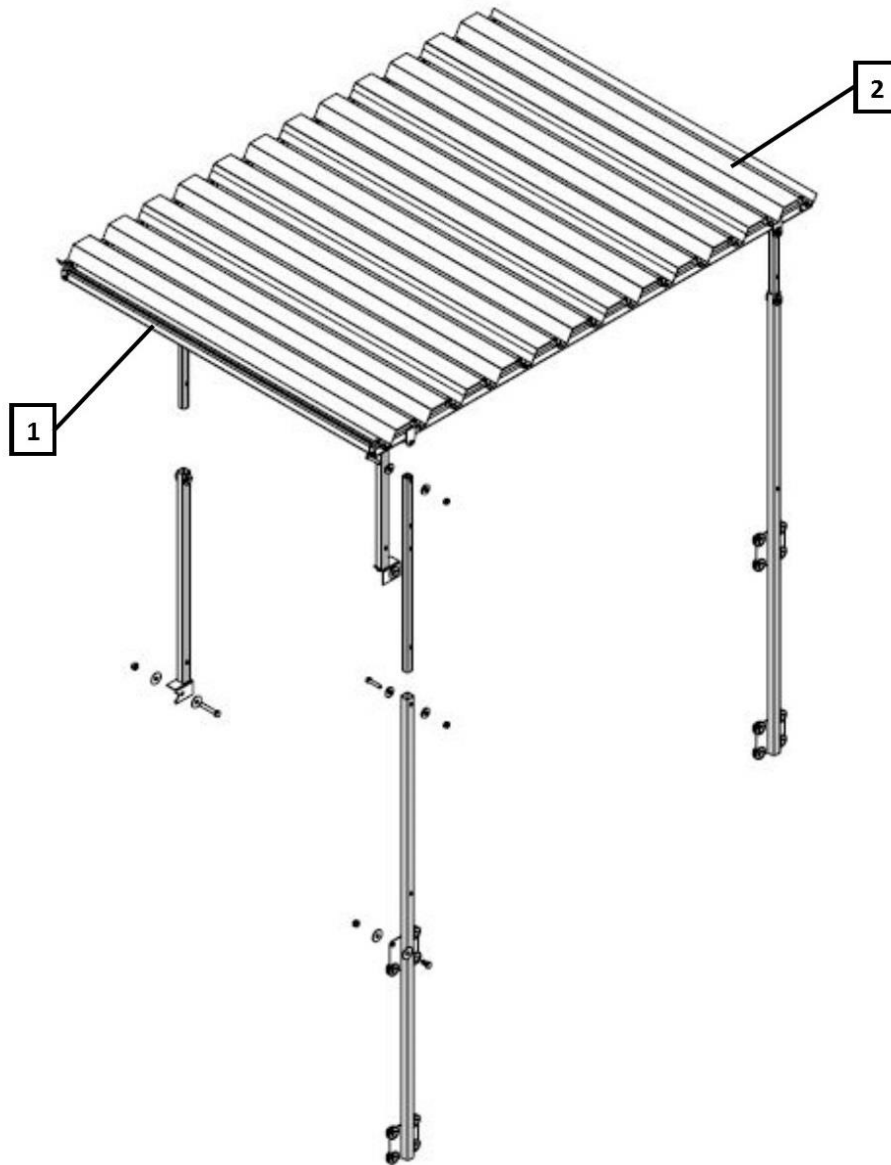
Drop Test Pendant





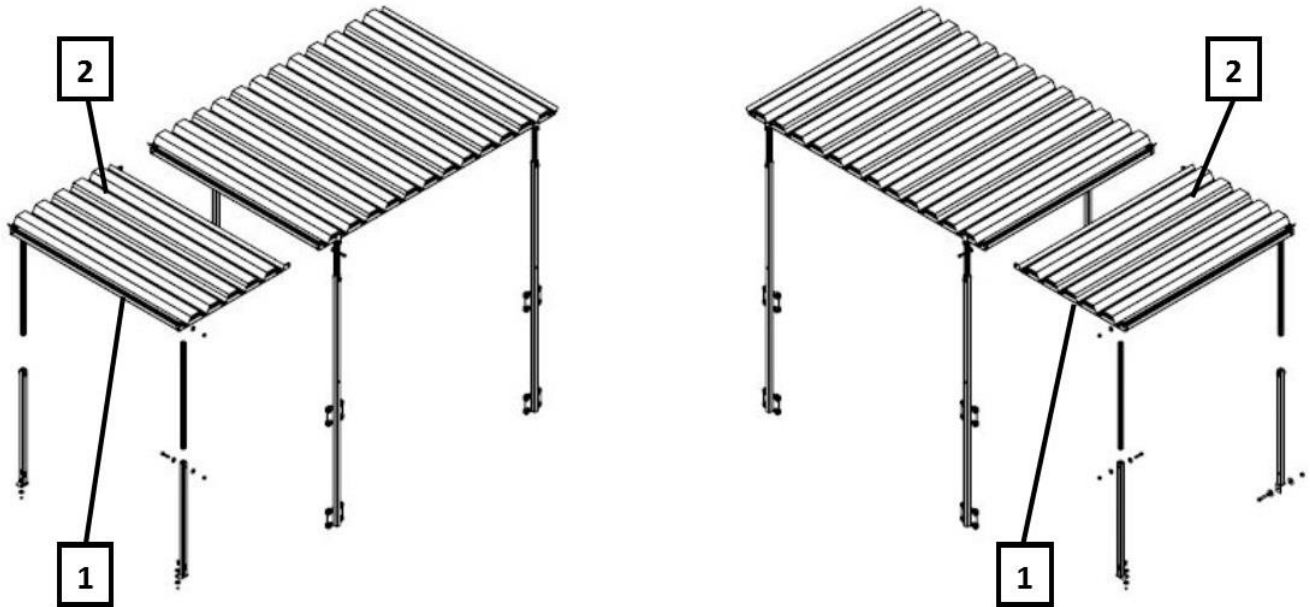
Item	Part Number	Description	Notes
-	30-236	Drop Test Pendant Assembly	Includes All Items Below
T	00000000001865	16B Hood Side Entry	---
T	00000000001866	16B Insert Male	---
PE1	00000000001025	E-Stop Pushbutton	---
PS1	10-674	Pushbutton	---
PT9	##	Pushbutton	---
1	00000000001730	N.C. Contact Block	---
2	10-678	N.O. Contact Block (x2)	---

Section H – Accessories
Roof Structure



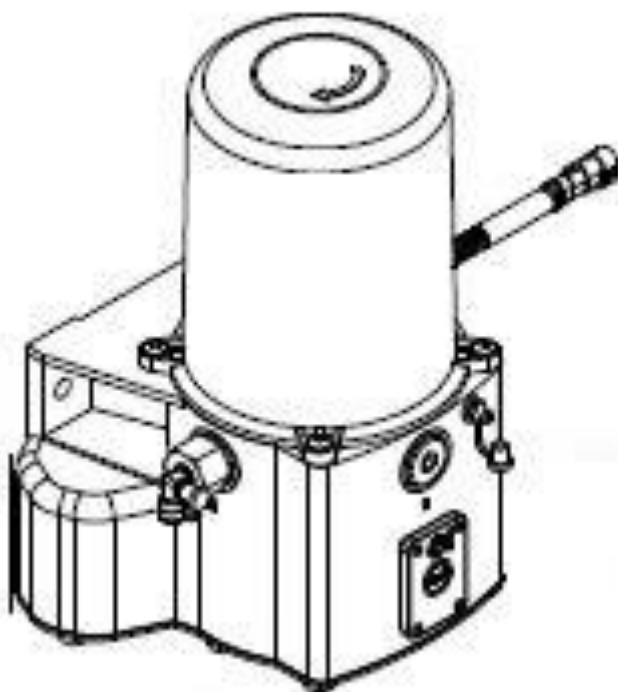
Item	Part Number	Description	Notes
1	10-227	Roof Structure Assembly MC4000	----
2	10-233	Roof Panel	Qty 6

Roof Structure



Item	Part Number	Description	Notes
1	10-228	Roof Structure Assembly MC3000	----
2	10-233	Roof Panel	Qty 6

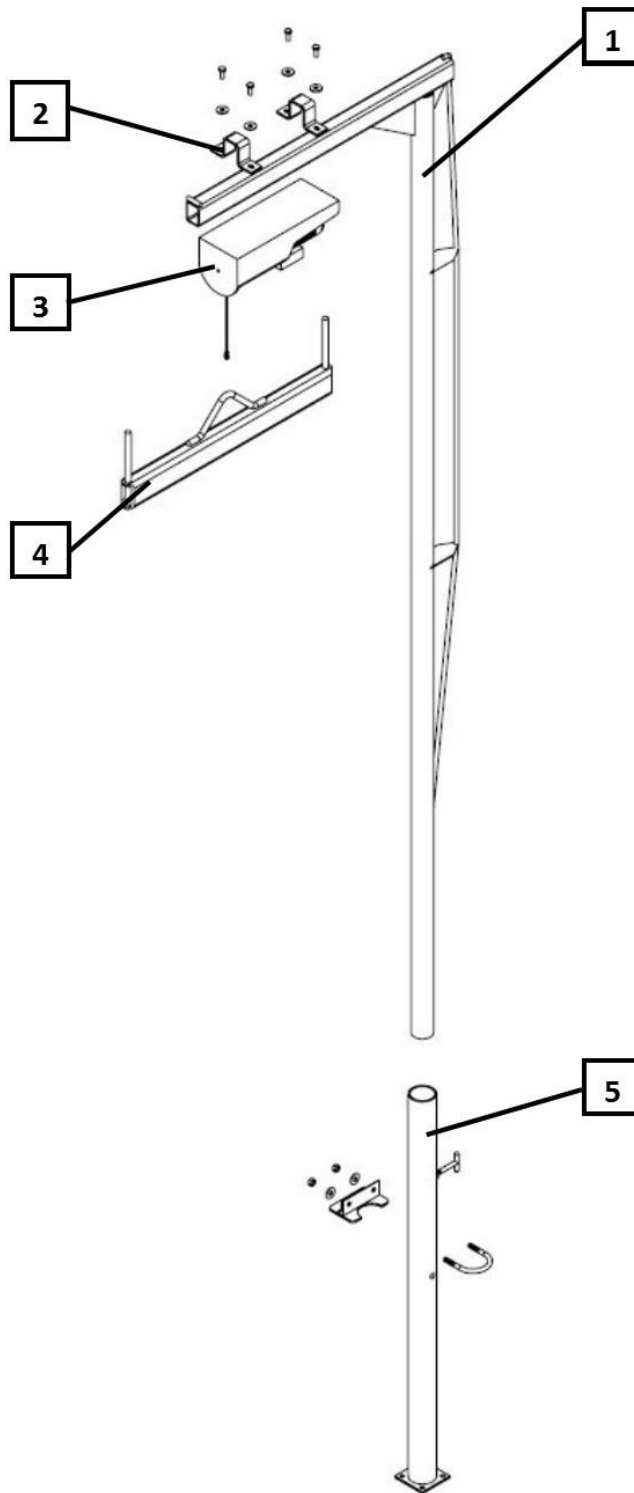
Automatic Greaser



Item	Part Number	Description	Notes
1	10-757	Automatic Greaser	----



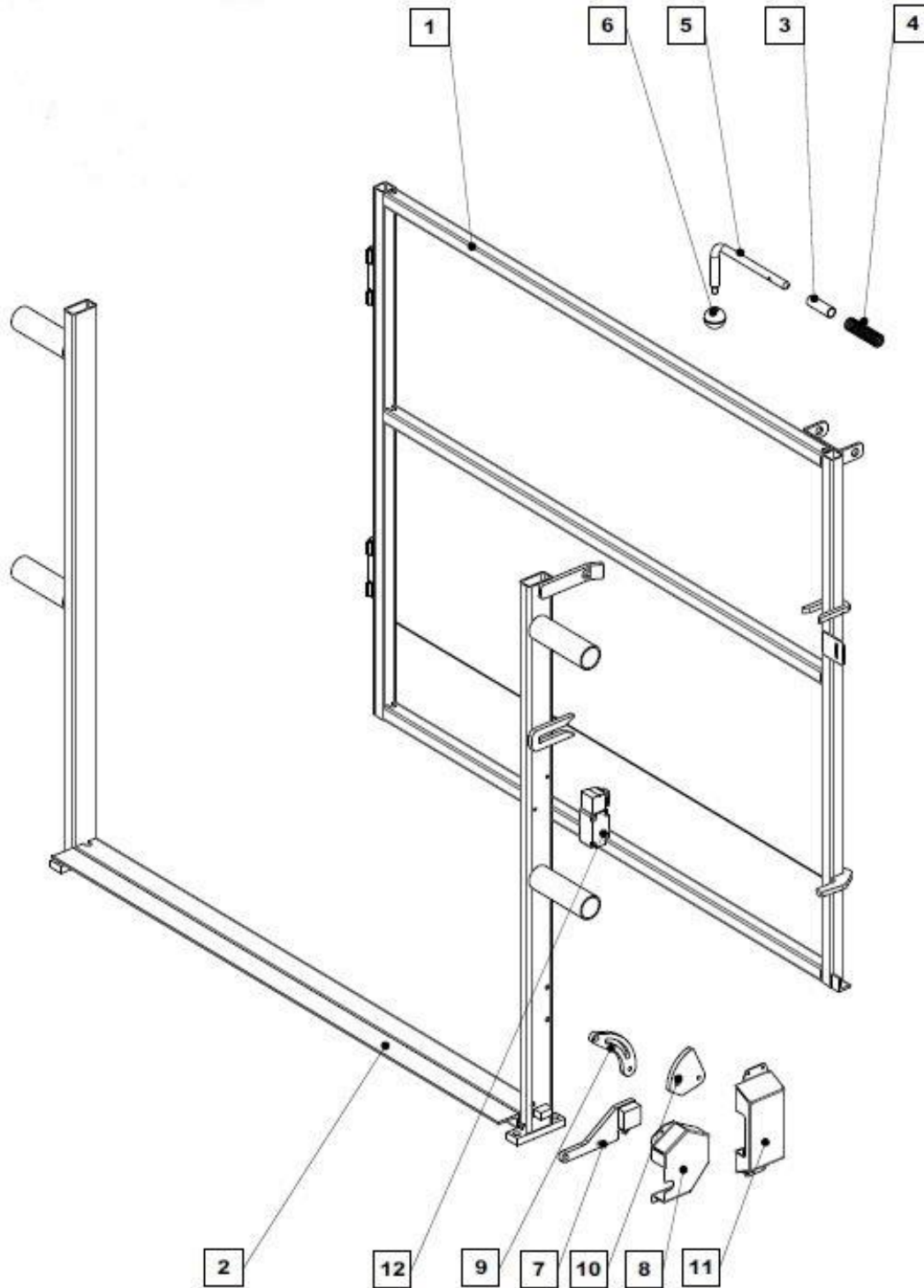
Jib Crane Assembly





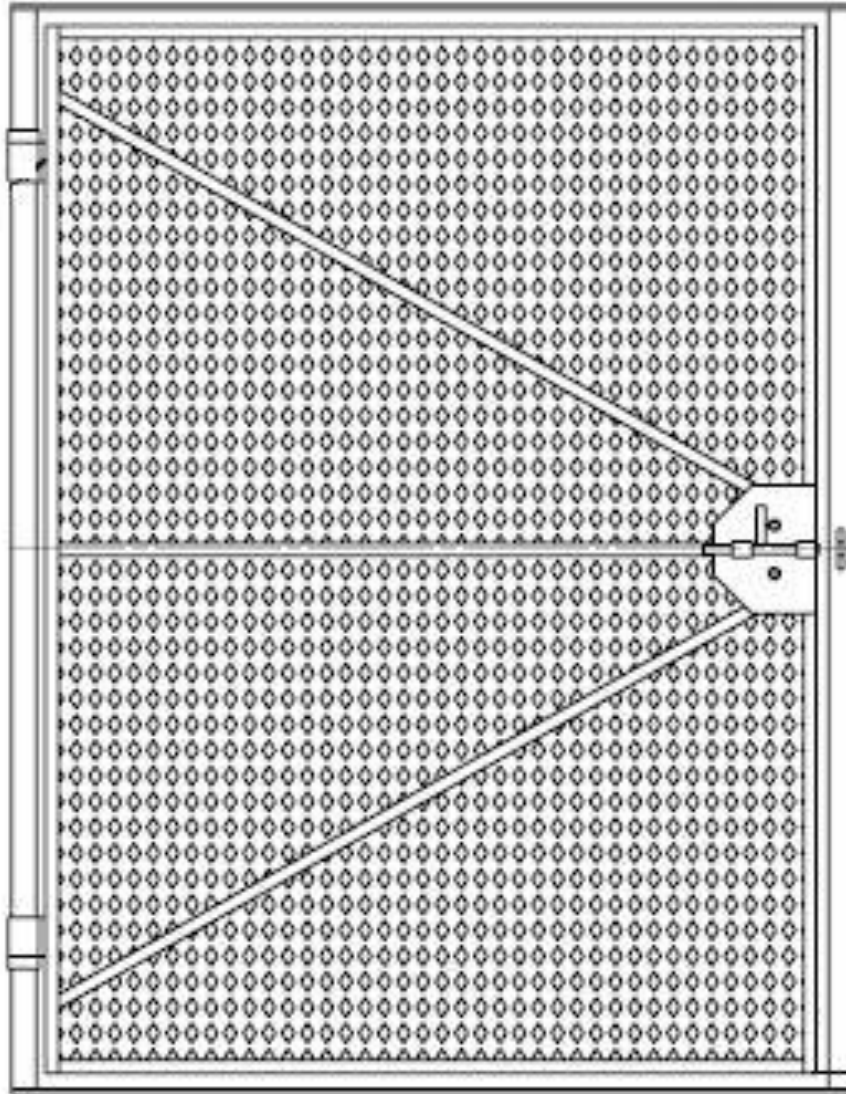
Item	Part Number	Description	Notes
-	10-229	Job Crane Assembly	Includes all Items Below
1	10-229-1	Jib Crane Pole	----
2	10-229-2	Hoist Attachment Brackets	----
3	10-229-3	Jib Hoist 110VAC	----
4	30-4002	Mast Lifting Eye	----
5	30-4001	Jib Crane Stand	----
6	00000000002116	U-Bolt	----
7	00000000001316	Nut M8 Nylock	----
8	00000000002118	Split Washer 3/8"	----

Transport Landing Gate



Item	Part Number	Description	Notes
-	10-997	Transport Landing Gate	Includes items 1 thru 12
1	##	Gate	----
2	##	Gate Frame	----
3	10-578	Latch Bushing	----
4	10-666	Latch Spring	----
5	30-251	Latch	----
6	30-252	Threaded Ball	----
7	30-253	Lock	----
8	30-254	Lock Cover	----
9	##	Secondary Lock Actuator	----
10	##	Secondary Lock	----
11	##	Cover	----
12	##	Keyed Limit Switch	----
--	30-338	Gate Hinge	Not Shown

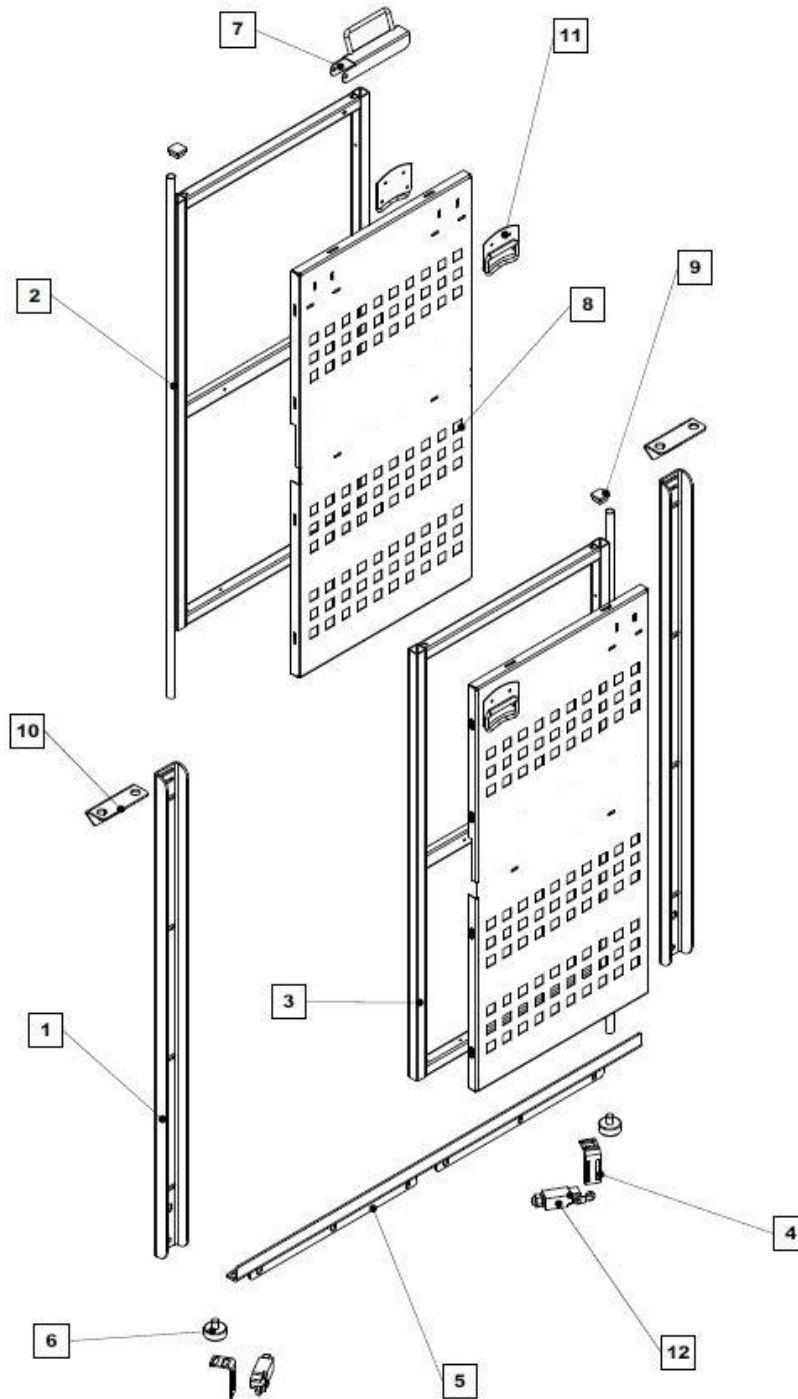
Material Landing Gate



Item	Part Number	Description	Notes
--	20-100	Material Landing Gate	----



Swinging Doors





Item	Part Number	Description	Notes
-	##	Swinging Door Assembly	Includes all Items Below
1	##	Vertical Mounting Rails	----
2	##	Door Frame (Left Side)	----
3	##	Door Frame (Right Side)	----
4	30-496	Limit Switch Mounting Bracket	----
5	##	Door Sill	----
6	10-498	Limit Switch Bumpers	----
7	##	Door Latch	----
8	10-598	Door Panel	----
9	##	Rail Cap	----
10	##		----
11	##	Door Handles	----
12	10-746	Limit Switch	----