



Original Instructions

BETA MAX

Maxial Track Hoist



PARTS MANUAL

Rev. 2.0 - 2021

1895 Robert J. Conlan Blvd

Palm Bay, FL 32905

P: 800.233.5112 --- F: 321.768.9517

www.betamaxhoist.com

Descriptions and photos are only to be considered as pure illustrations. They may or may not be exact representation due to updated and revised changes made to the product.

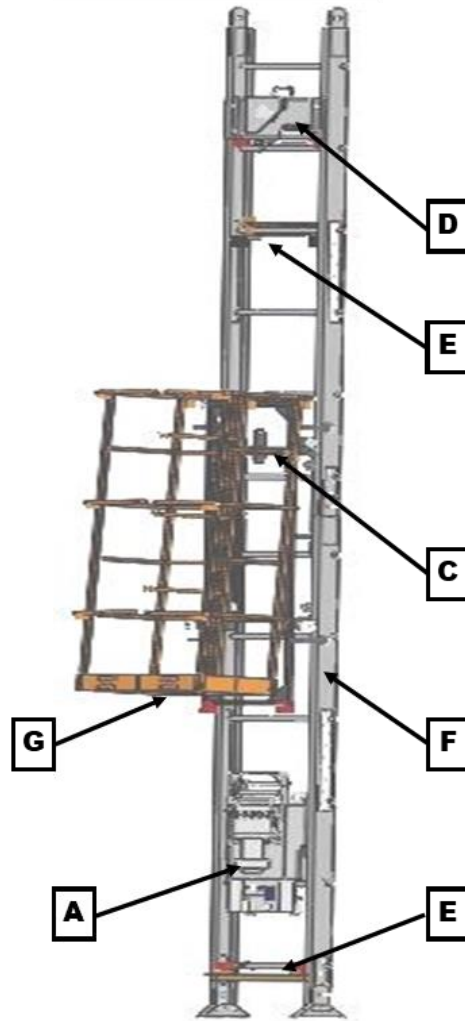
According to continuous technological innovations, Beta Max, Inc. reserves the right to make any modifications with the intention of improving the product without notice.

All rights reserved.

Copyright © 2020 BETA MAX, Inc.

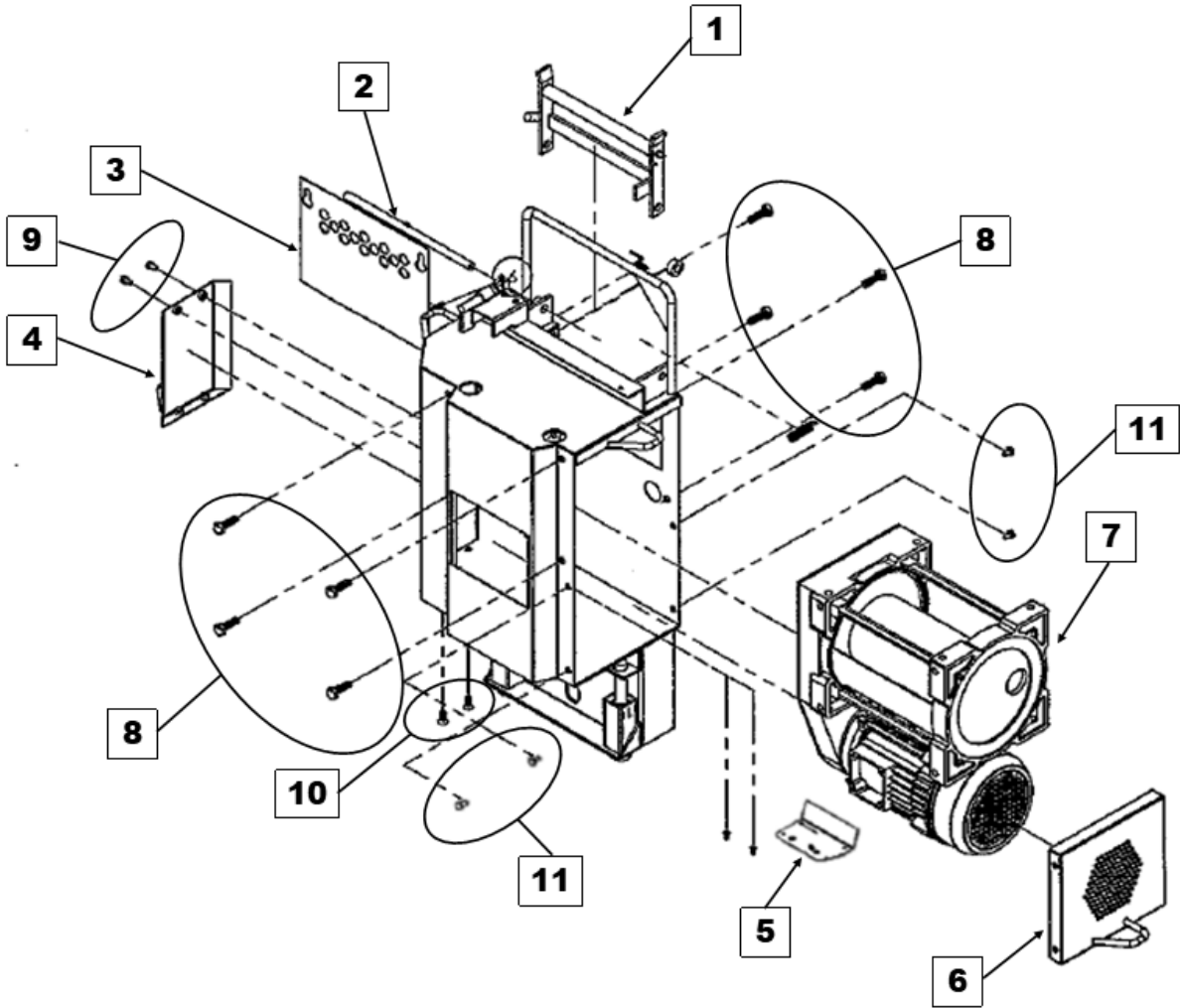
Reproduction of this document by any means, in whole or in part, is prohibited without the authorization of BETA MAX, Inc.

Contents



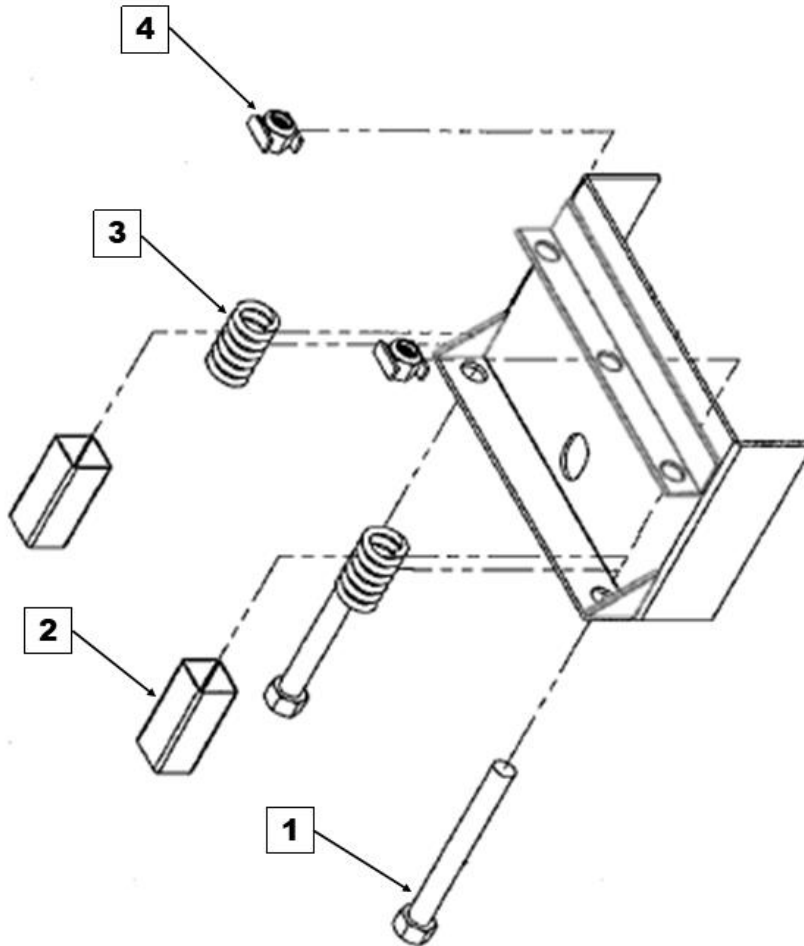
Item	Description	Page Number	Notes
A	Motor Pack	1	---
B	Electrical Control System	13	Not Shown
C	Lifting Unit (Carriage)	23	---
D	Sliding Head	25	---
E	Terminal Stops	27	---
F	Track Components	29	---
G	Loading Units	35	Not Shown

Section A – Motor Pack- 80-49



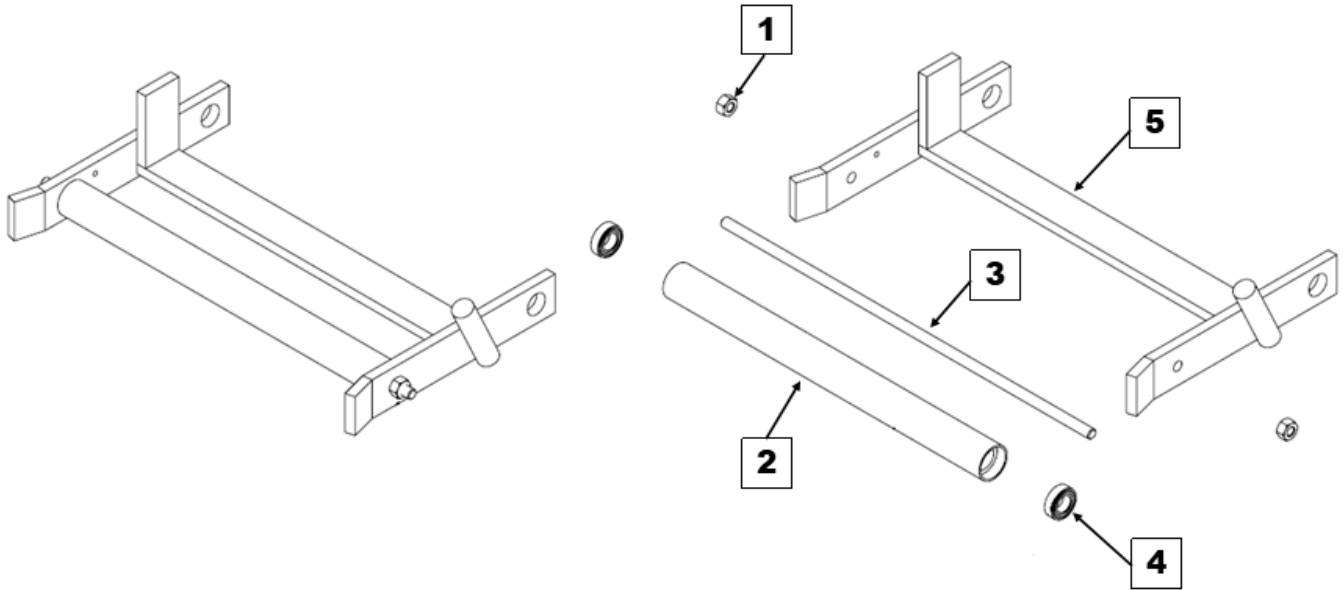
Item	Part Number	Description	Notes
--	30-67-1	Shroud Assembly, Motor Ready	All items except 5 & 7
1	30-63	Slack Rope Frame Assembly	See Page
2	10-84-13	Pin, Slack Rope Frame	----
3	80-20-1	Wire Rope Guard	----
4	10-84-71	Shroud, Split MOT CVR/VT	----
5	10-111D	Support Plate, MTR Plug	----
6	10-84-61	Shroud, Split Brake CVR	----
7	30-69-1	Motor/Trans Assembly, 110VAC	See Page
7	30-69-4	Motor/Trans Assembly, 208VAC	See Page
8	00000000000059	Bolt, Hex HD M10x1.5x35	----
9	00000000001823	Bolt, Philips Flat-Head 5/16-18x3/4"	----
10	00000000000742	Bolt, Hex HD 5/16-18x3/4"	----
11	00000000000742	Bolt, Hex HD 5/16-18x3/4"	----

Overload Components



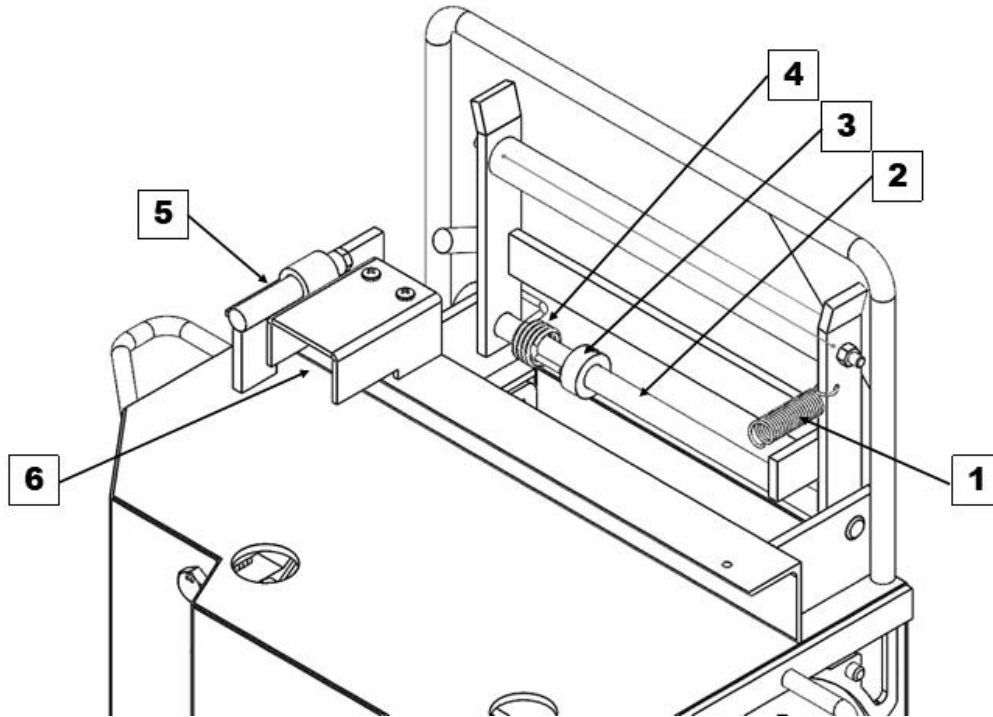
Item	Part Number	Description	Notes
1	40-48	Bolt, O.L. Adjustment	----
2	40-49	Sleeve, Spring Maxial UP Limit	
3	000000000000095	Spring, Maxial SHRD Overload	----
4	30-109	Nut, Up Limit Adjustment	----
--	40-8	Limit Switch, UP Limit	Not Shown
--	20-63	Rung Lock Assembly	Not Shown
--	000000000001825	Spring, Rung Lock	Not Shown

Slack Rope Frame Assembly - 30-63



Item	Part Number	Description	Notes
1	00000000000715	Nut, M6 Ny-lock	Qty 2
2	10-144	Roller, Slack Rope	----
3	10-391	Rod, Threaded Slack Rope	----
4	00000000000302	Bearing, 6mm ID x 19mm OD	Qty 2
5	10-52	Frame, Slack Rope	----

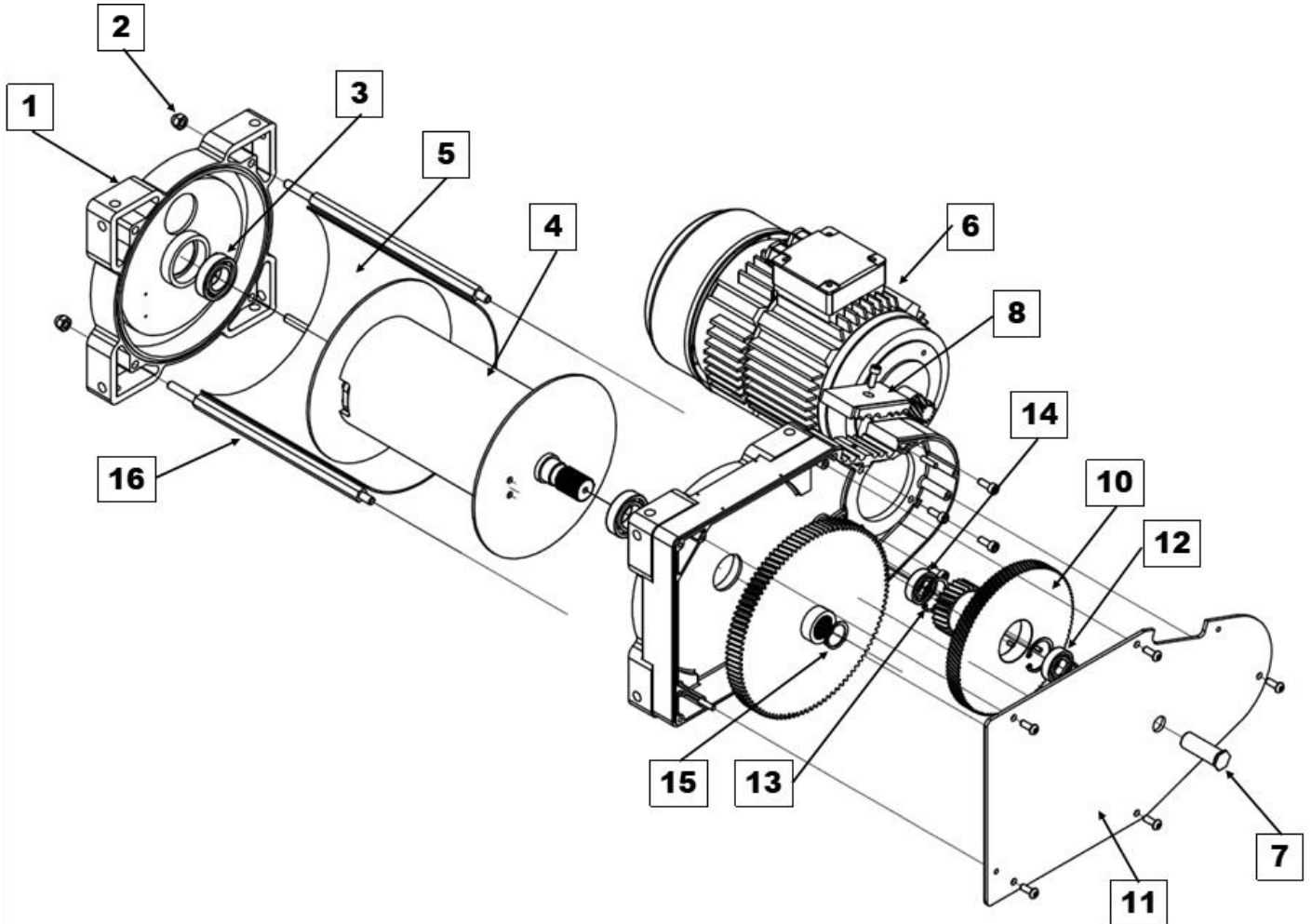
Motor Pack – Top Components



Item	Part Number	Description	Notes
1	00000000000685	Spring, Slack Rope Helper	----
2	10-84-13	Pin, Slack Rope Frame	----
3	10-389	Collar, Slack Rope Pin	----
4	00000000000504	Spring, Slack Rope	----
5	20-63	Rung Lock Assembly	----
5	00000000001825	Spring, Rung Lock	----
6	0000000000122	Limit Switch, Button Slack Rope	Not Shown

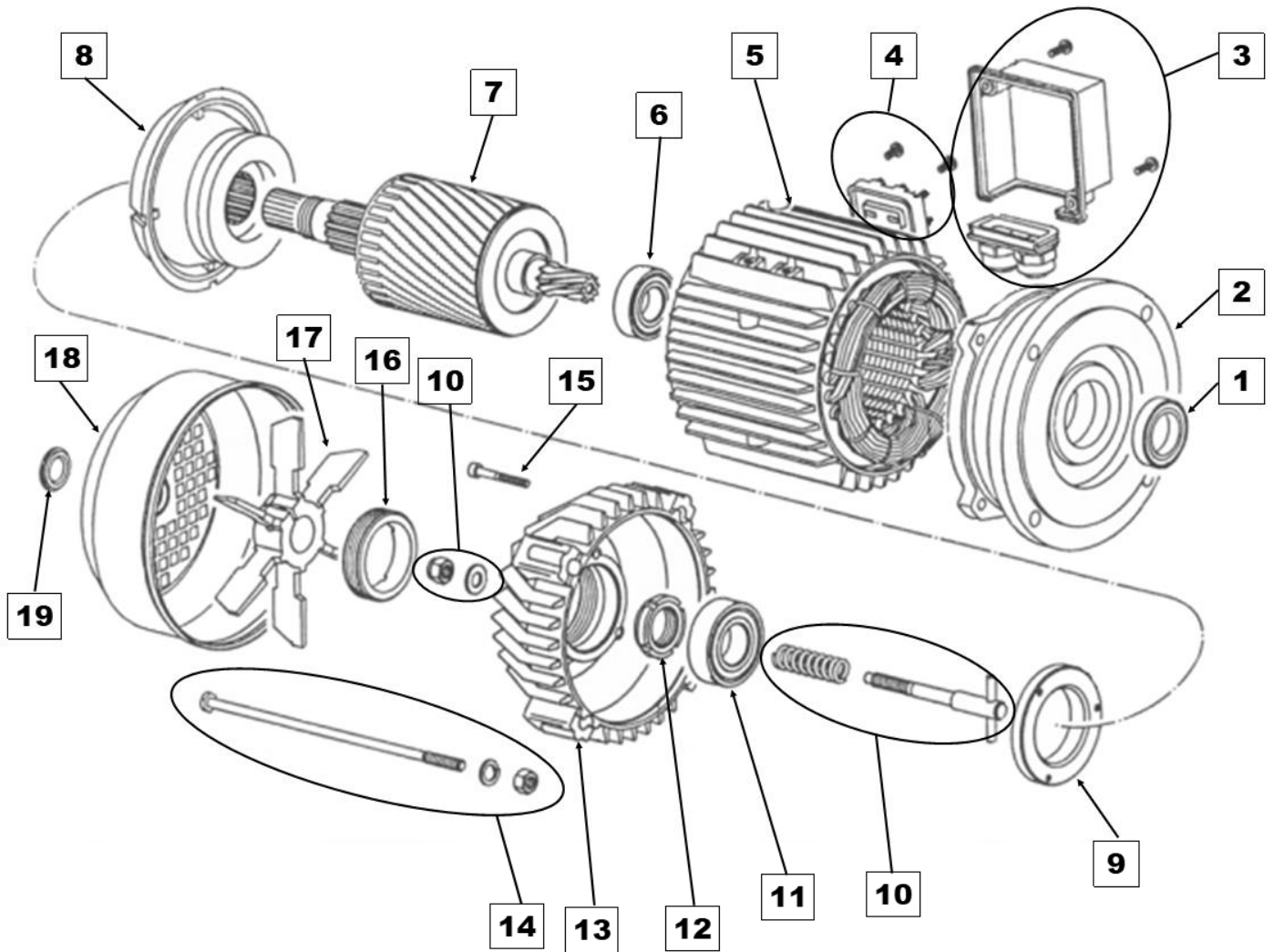
This page left blank for formatting reasons.

Motor/Transmission Assembly – 30-69-1 & 30-69-4



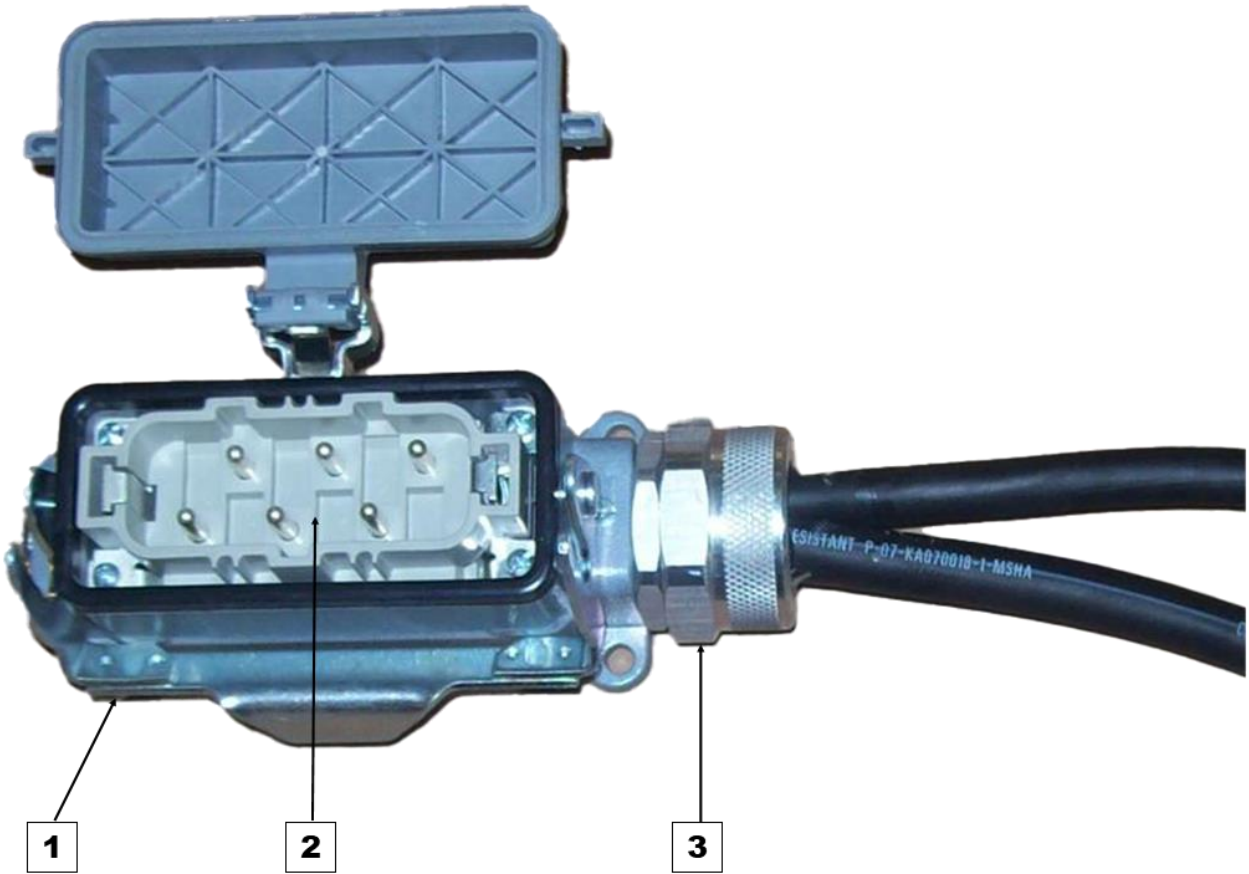
Item	Part Number	Description	Notes
-	20-160	Trans/Drum Assembly Maxial	Includes items 1-5 & 7-17
1	10-153	Flange, Maxial Drum	----
2	##	Nut, Blind	----
3	10-154	Bearing, 6005-1 RS	----
4	--	Drum, Smooth Maxial	Sold only as Assembly 20-160
5	10-143	Guard, Wire Rope	----
6	10-1	Motor, Maxial 110VAC	----
6	10-2	Motor, Maxial 220VAC	----
7	10-459	Collar, Transmission Assembly	
8	70-39	Clamp, Wire Maxial	----
9	00000000001802	Shaft, Intermediate Maxial	Not Shown
10	10-158	Gear, 25/99 Tooth Sub-Assembly	----
11	10-156	Cover, Maxial Transmission	----
12	##	Spacer, Maxial Transmission Cover	----
13	##	Circlip, E140	----
14	10-163	Bearing, 6203	----
15	##	Circlip, E25	----
16	10-3	Tie Rod, Maxial Flange	----
17	70-35	Clamp, Wire Rope	Includes Hardware (Not Shown)

Motor Breakdown – 10-1 & 10-2



Item	Part Number	Description	Notes
-	10-59A	Stator Assembly, 110VAC	Includes items 3-5 and 30-39-1
-	10-475A	Stator Assembly, 208VAC	Includes items 3-5 and 30-39-1
-	20-163	Rotor/Brake Assembly	Includes items 6-13 & 15-19
-	30-39-1	Motor Conn Assembly, Maxial	Not Shown
-	10-111D	MTR Conn Support Plate	Not Shown
1	00000000000808	Seal, Oil Splash Guard 15X30X5	----
2	20-94	Motor Flange, Stator	----
3	10-478	Cover, Motor Connection	Includes Gasket
3	10-477	Cable Gland, Group Maxial	----
4	10-479	Terminal Block, Motor Connector	----
5	10-59A	Stator, M290 110VAC	Includes items 3-4
5	10-475A	Stator, M290 220VAC	Includes items 3-4
6	00000000000523	Bearing, 6205 2RSJEM 25x52x15	----
7	----	Rotor, Maxial	Only Sold as Assembly 20-163
8	20-55	Brake Block	----
9	10-54	Ring, Brake Locking	----
10	20-86	Brake Tension Kit	----
11	10-180	Bearing, 6206Z	----
12	10-53	Nut, Auto Locking	----
13	10-55	Motor End Shield	----
14	10-48	Tie Rod Kit, Motor	----
15	00000000000008	Screw, Socket Cap M5x40mm	----
16	----	Ring, Brake Adjustment	Only Sold with item 12
17	20-58	Fan, Motor M290	Includes Hardware
18	20-56	Cover, Fan	----
19	20-53	Plug, Fan Cover	----

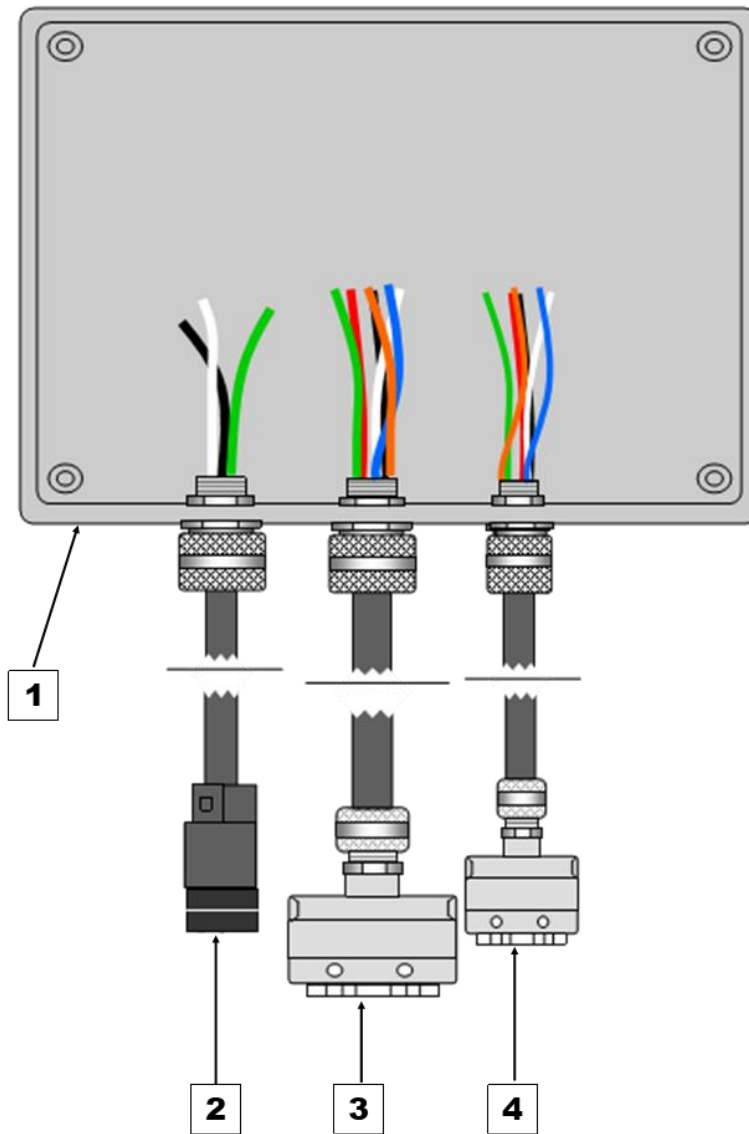
Motor Connector – 30-39-1



Item	Part Number	Description	Notes
1	00000000000185	Housing, Bulkhead w/ Cover	----
-	00000000000853	Plug, Blanking PG21	Not Shown
2	00000000001470	Insert, Male 6 Pin 35A 400V	----
3	00000000000842	Cord Grip, Alum PG21	----

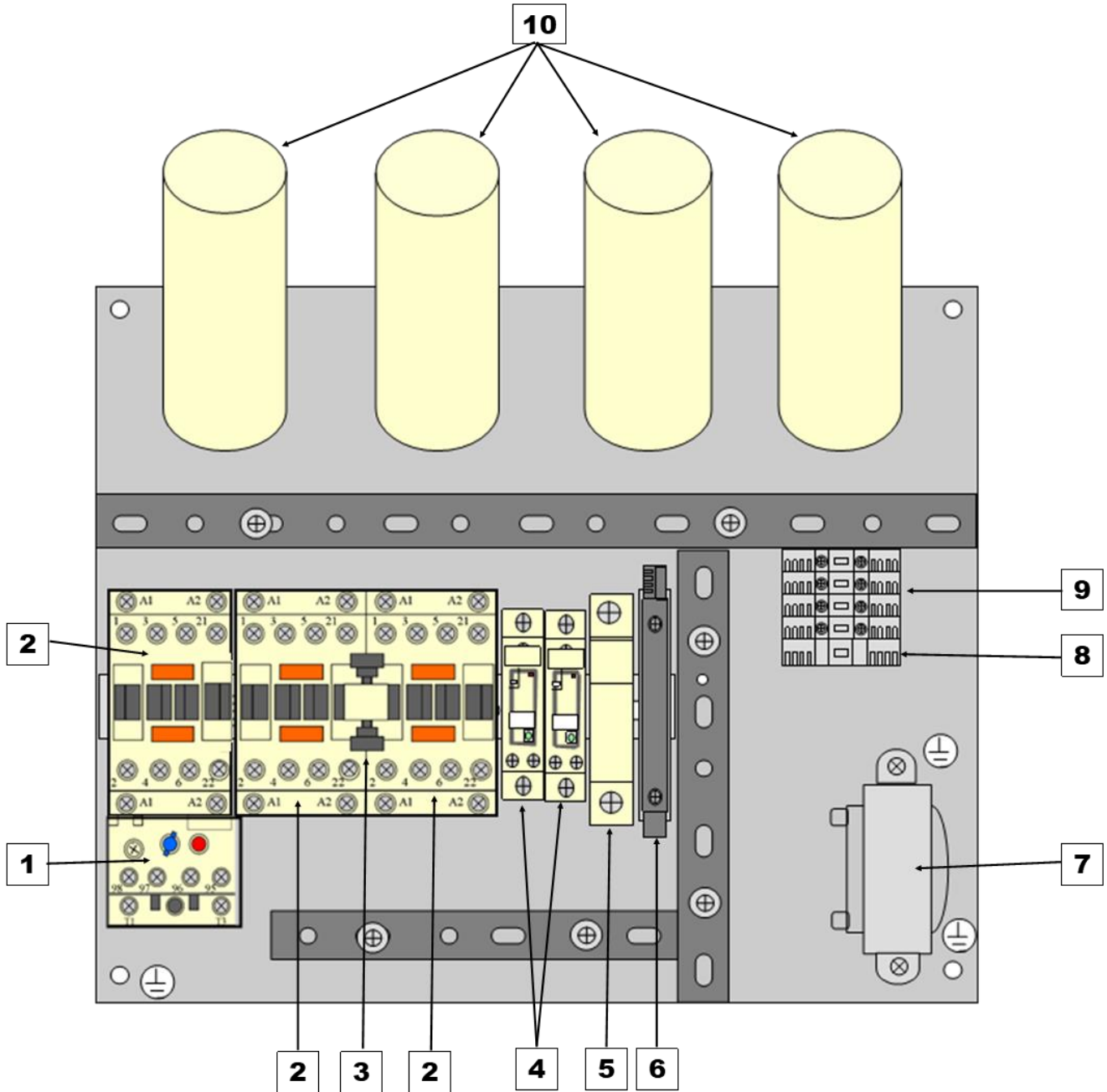
This page left blank for formatting reasons.

Section B - Electrical Controller – 30-40-5
Enclosure Assembly – 30-146E



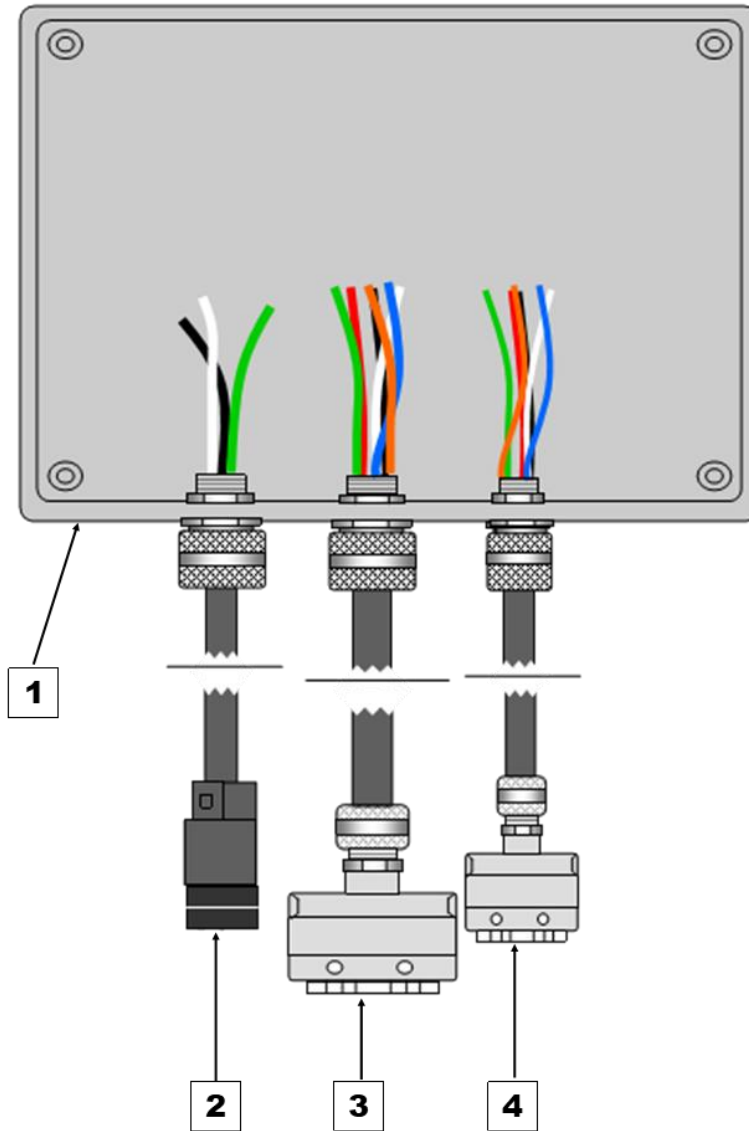
Item	Part Number	Description	Notes
--	10-994	Mount, UL Maxial Control Box	Not Shown
1	00000000001659	Enclosure, Hinge	----
	30-118C	Decal Kit, Maxial Controller 110V	----
2	30-9E	Pigtail Assembly, Power 110V	
	00000000001911	Plug, 110V 30A 1PH	----
	00000000002007	Receptacle, 110V 30A 1PH	Not Shown
3	30-148E	Pigtail Assembly, Motor Cable	----
	00000000001132	Hood, Top Entry 16P	
	00000000001469	Insert, 10B 6 Pin Female 35A 400V	----
	00000000000842	Cord Grip, Alum PG21	
4	40-6E	Pigtail, Pendant Assembly	----
	00000000001872	Hood, Top Entry 6B PG16	
	00000000001875	Insert, 6B 6 Pin Female 16A	----
	00000000001493	Cord Grip, Alum PG16	

Baseplate Assembly – 30-145E 110VAC



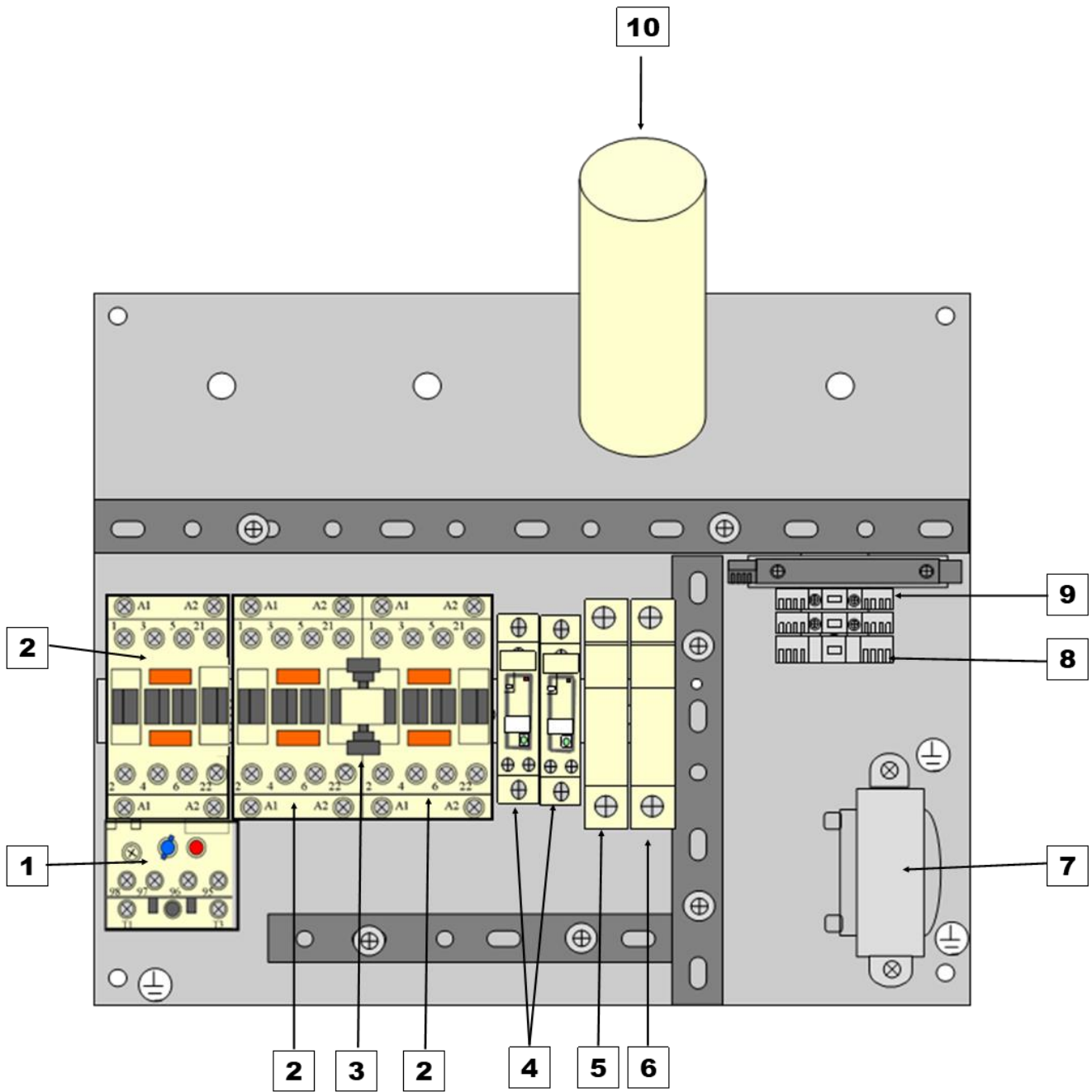
Item	Part Number	Description	Notes
1	00000000001484	Overload, 17-23A	----
2	00000000001480	Contactora, 25A 3NO/1NC	
3	00000000001481	Interlock, Mechanical	----
4	00000000001695	Relay, SPDT 24VAC 15A LED	----
4	00000000001696	Relay Base, SPDT	----
5	00000000001693	Fuse Holder, CC Class 1PL	----
5	00000000001694	Fuse, CC Class 600V 2A	----
6	00000000001561	Fuse Holder, Terminal Block	----
6	00000000001574	Fuse, 7A SLO BLO	----
7	30-149E	Transformer, 110V Pri 24V Sec	----
8	00000000001571	Terminal End Block	----
9	00000000001590	Terminal Block, 20A 12AWG 600V	----
9	00000000001697	Jumpers, Terminal Block	----
10	00000000001692	Capacitors, 70MF UP w/SCR	----

Electrical Controller – 30-40-6
Enclosure Assembly – 30-146F



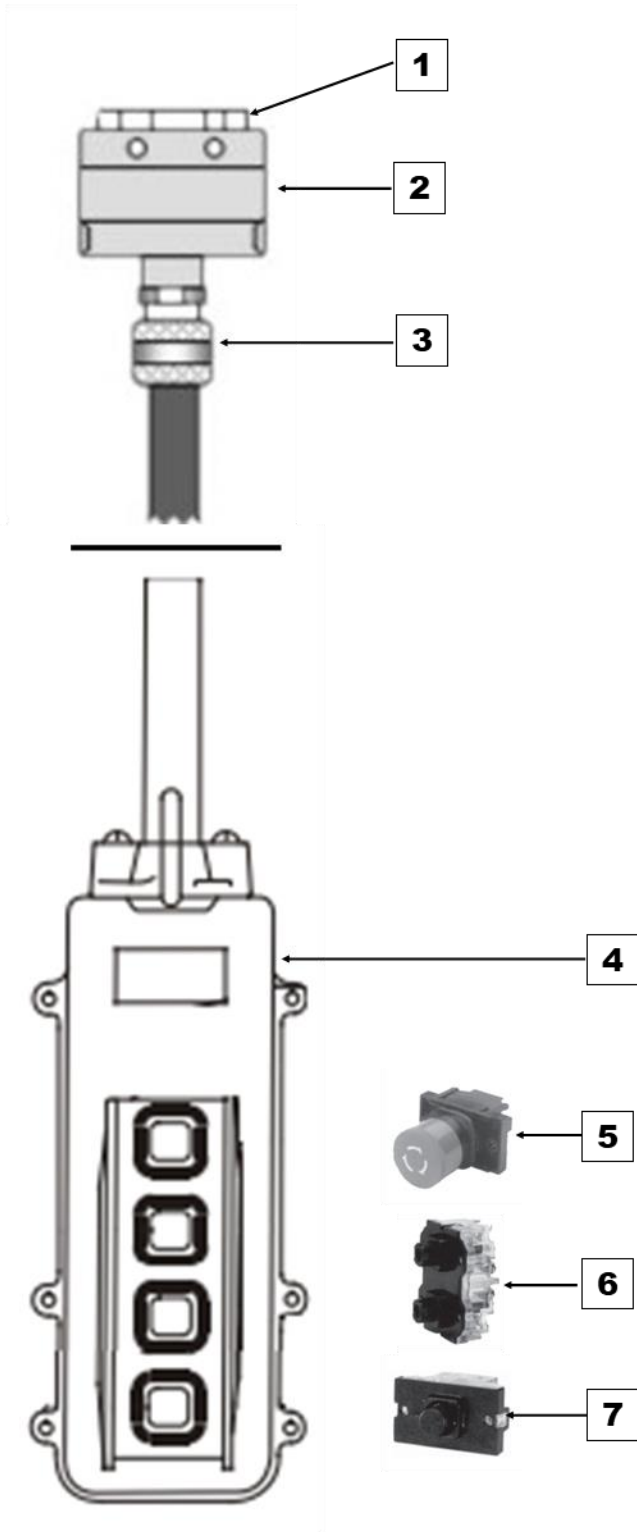
Item	Part Number	Description	Notes
--	10-994	Mount, UL Maxial Control Box	Not Shown
1	00000000001659	Enclosure, Hinge	----
	30-118C	Decal Kit, Maxial Controller 110V	----
2	30-9F	Pigtail Assembly, Power 220V	
	00000000002013	Plug, 220V 20A 1PH	----
	00000000002014	Receptacle, 220V 20A 1PH	Not Shown
3	30-148E	Pigtail Assembly, Motor Cable	----
	00000000001132	Hood, Top Entry 16P	
	00000000001469	Insert, 10B 6 Pin Female 35A 400V	----
	00000000000842	Cord Grip, Alum PG21	
4	40-6E	Pigtail, Pendant Assembly	----
	00000000001872	Hood, Top Entry 6B PG16	
	00000000001875	Insert, 6B 6 Pin Female 16A	----
	00000000001493	Cord Grip, Alum PG16	

Baseplate Assembly – 30-145F 208VAC



Item	Part Number	Description	Notes
1	00000000001483	Overload, 9-14A	----
2	00000000001478	Contactor, 25A 3NO/1NC	----
3	00000000001481	Interlock, Mechanical	----
4	00000000001695	Relay, SPDT 24VAC 15A LED	----
4	00000000001696	Relay Base, SPDT	----
5	00000000001693	Fuse Holder, CC Class 1PL	----
5	00000000001615	Fuse, CC Class 600V 1A	----
6	00000000001561	Fuse Holder, Terminal Block	----
6	00000000001574	Fuse, 7A SLO BLO	----
7	30-149F	Transformer, 220V Pri 24V Sec	----
8	00000000001571	Terminal End Block	----
9	00000000001590	Terminal Block, 20A 12AWG 600V	----
10	00000000001692	Capacitors, 70MF UP w/SCR	----

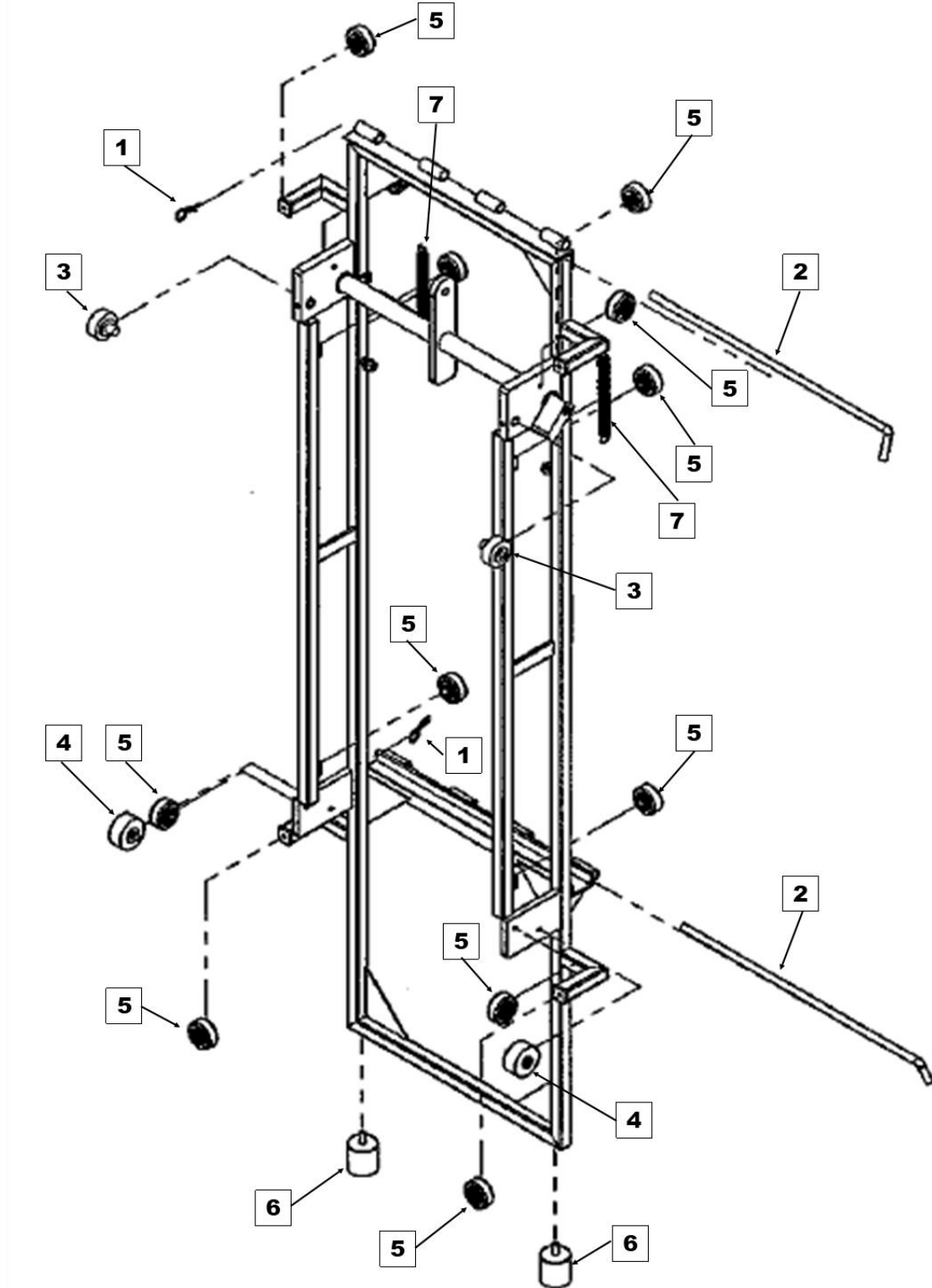
Control Pendant 50-36



Item	Part Number	Description	Notes
1	000000000000831	Insert, 6B Male	----
2	000000000000838	Hood, 6B Top Entry w/Latch	----
3	000000000001493	Cord Grip, Alum PG16	----
4	000000000000988	Enclosure, 4 Button Pendant	----
5	000000000000990	E-Stop, 30mm 1NC Red	----
6	000000000001181	Switch, MOM 2NO w/Interlock	----
7	000000000001747	Switch, MOM 1NO	----

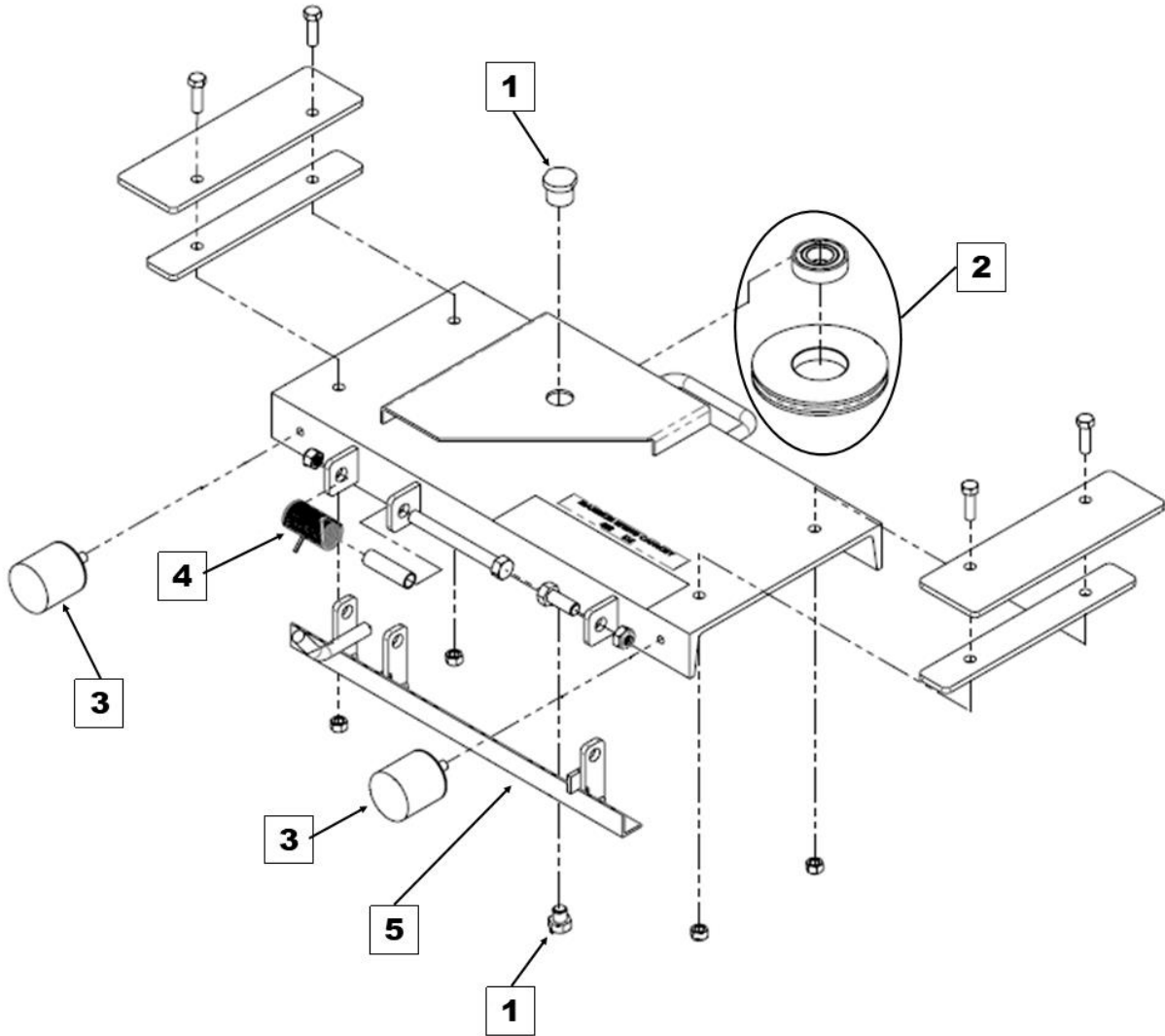
Section C – Lifting Unit

Universal Carriage - 200-1



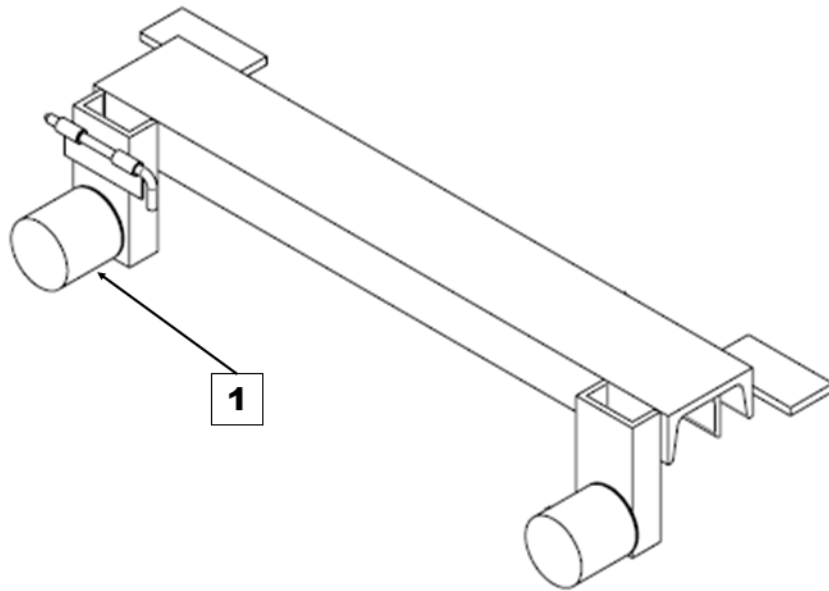
Item	Part Number	Description	Notes
1	000000000000037	Pin, Cotter	----
2	30-41	Pin, Carriage	----
3	80-15	Wheel, Top w/ Pin	----
4	80-16	Wheel, Lower w/ Shoulder Bolt	----
5	80-14	Roller, Guide w/ Shoulder Bolt	----
6	000000000000088	Bumper	----
7	10-226	Spring, Carriage Brake	----

Section D
Sliding Head – 80-2



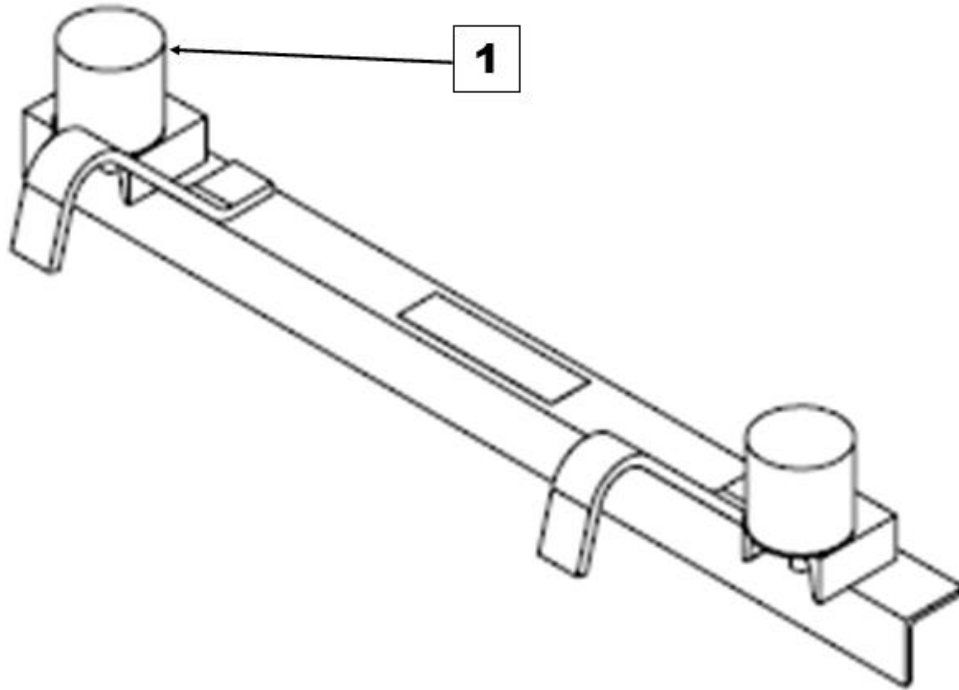
Item	Part Number	Description	Notes
1	10-79	Standoff, Sheeve Maxial	----
2	10-76	Sheeve w/ Bearing	----
3	000000000000088	Bumper	----
4	000000000000353	Spring, Release Handle	----
5	30-102	Flipper, Sliding Head	----

Section E – Terminal Stops
Top Stop – 80-8



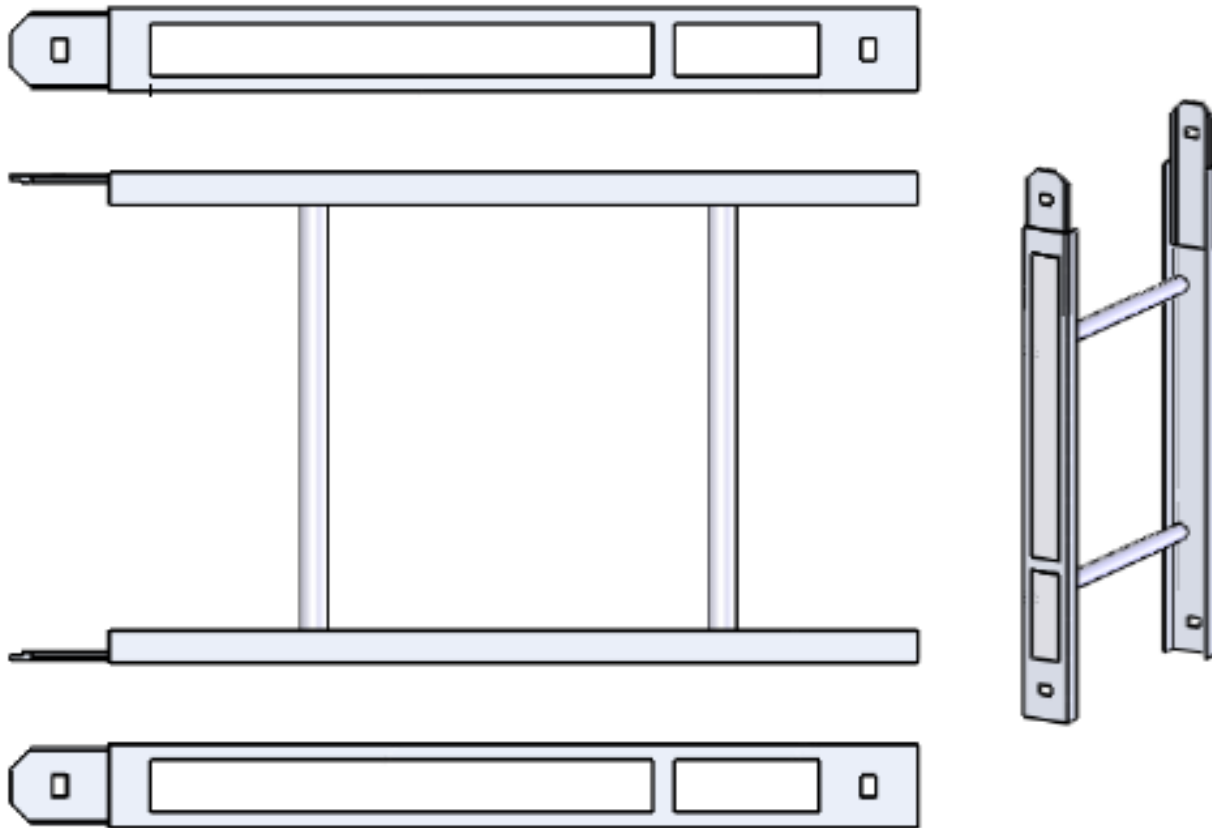
Item	Part Number	Description	Notes
1	000000000000088	Bumper, 65 Durometer	----
	000000000000561	Nut, Nylock 3/8-16 x 29/64 G2	

Bottom Stop 80-4

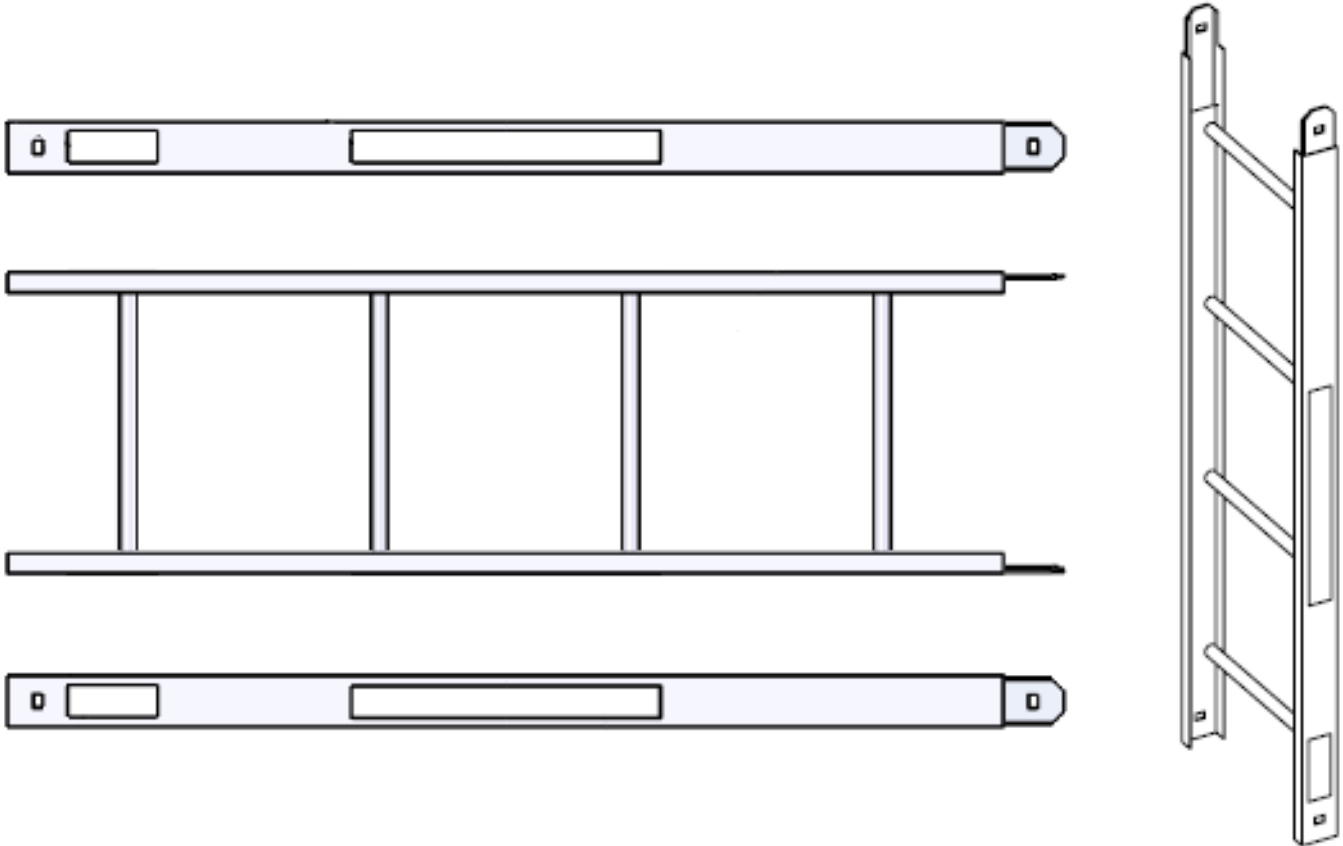


Item	Part Number	Description	Notes
1	00000000000088	Bumper, 65 Durometer	----
	00000000000561	Nut, Nylock 3/8-16 x 29/64 G2	

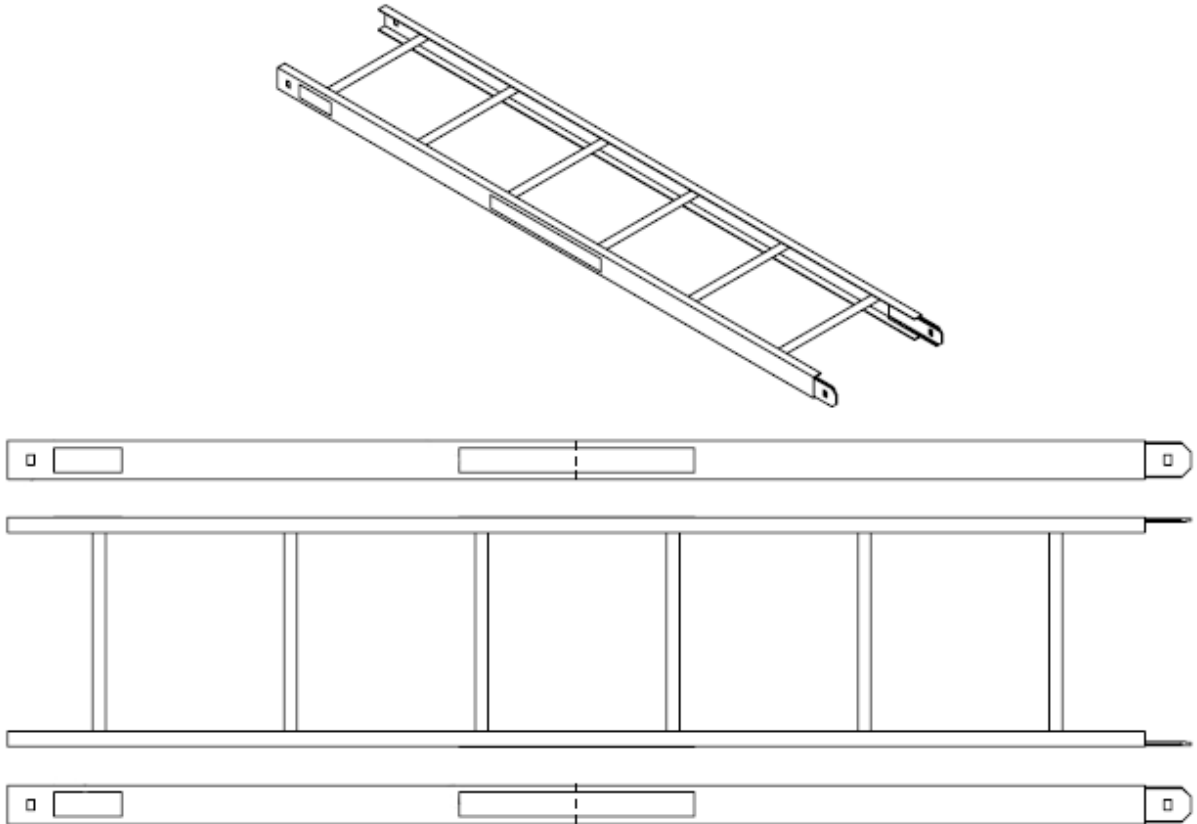
Section F - Track Components
Track Section 3'3" 90-5



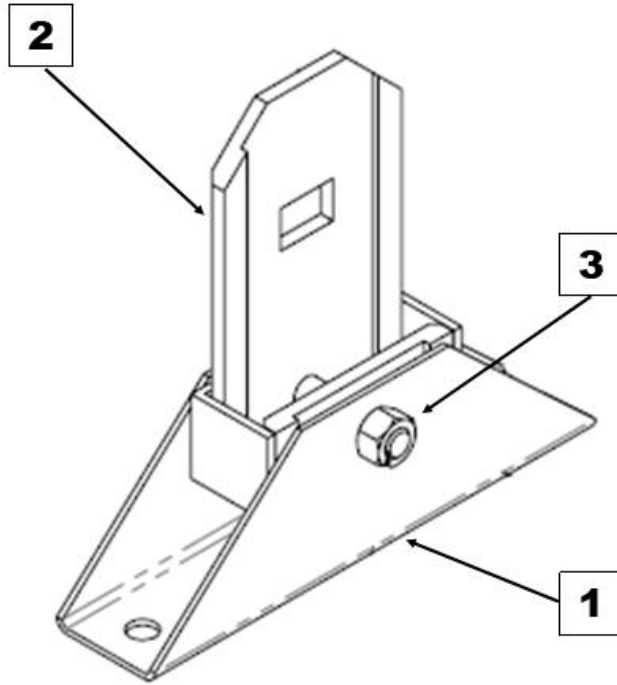
Track Section 6'6" 90-1



Track Section 9'9" 90-2

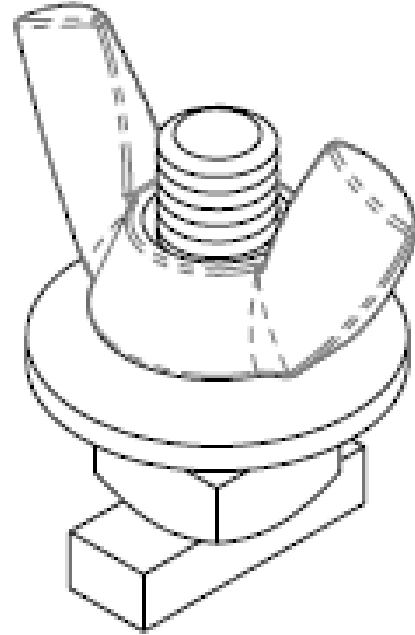
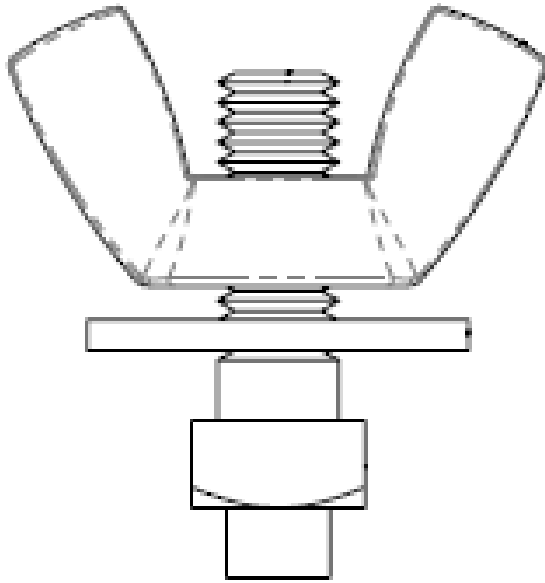


Maxial Ladder Feet 80-1

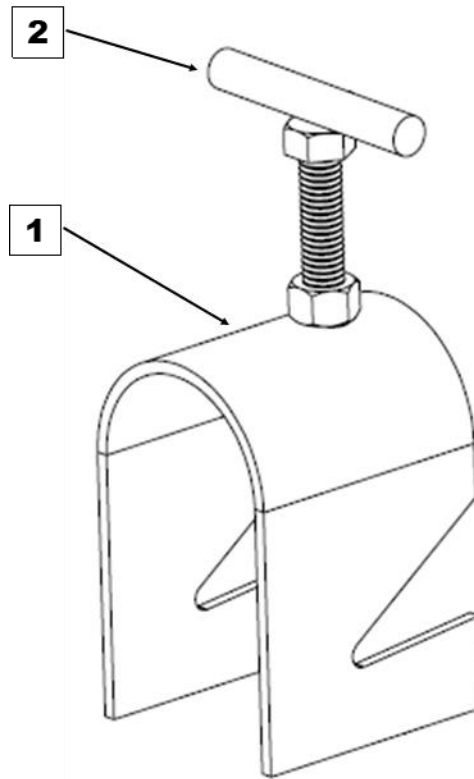


Item	Part Number	Description	Notes
1	10-113	Feet, Maxial Ladder	----
2	10-113-01	Connector, Ladder Feet	----
3	00000000000708	Bolt, Hex HD ½-13 x 2 ½	----
3	00000000000377	Nut, Nylock ½ -13 x 19/64 G2	----

Kwik Bolt – 90-6

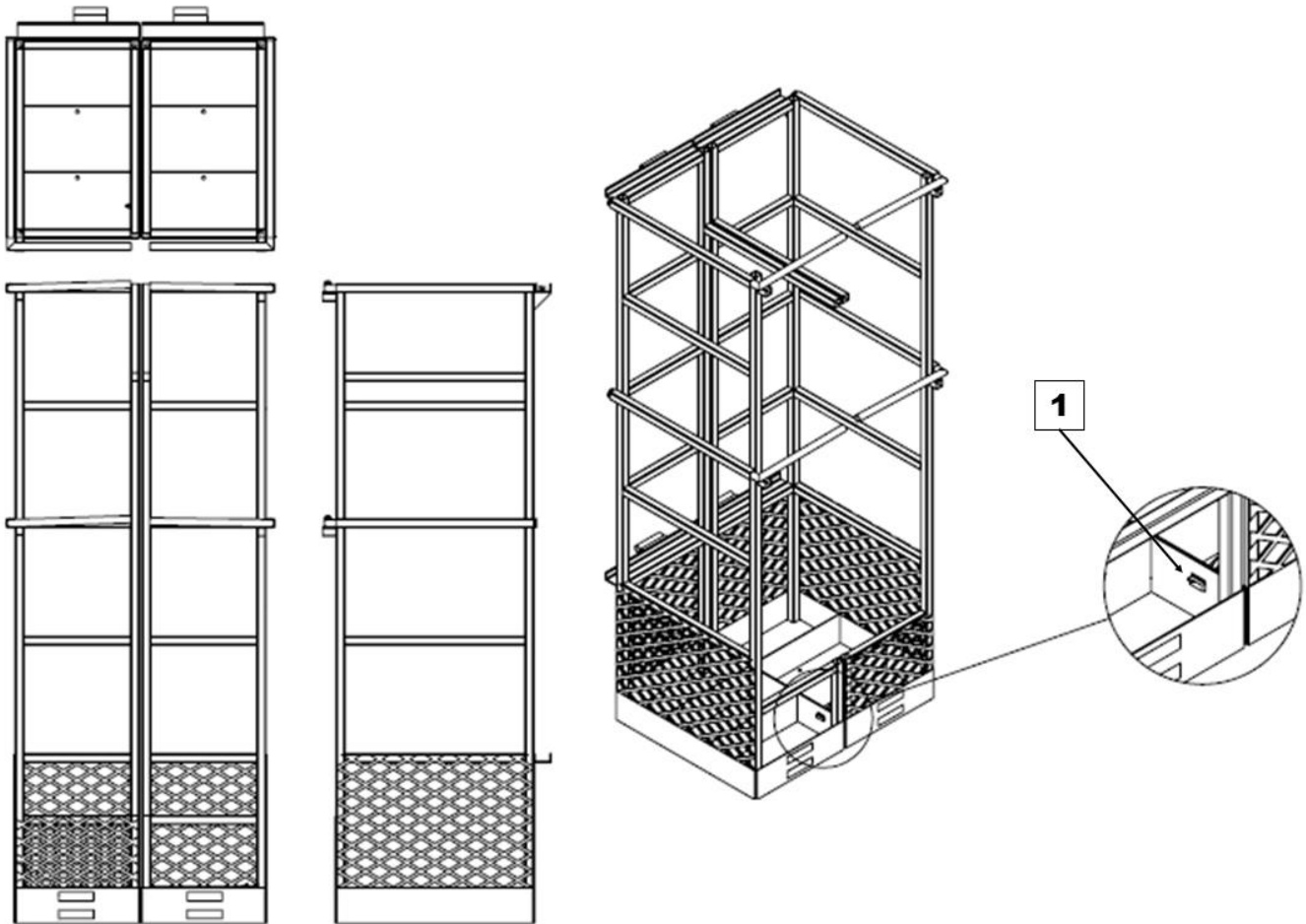


Scaffold Clamp – 90-4



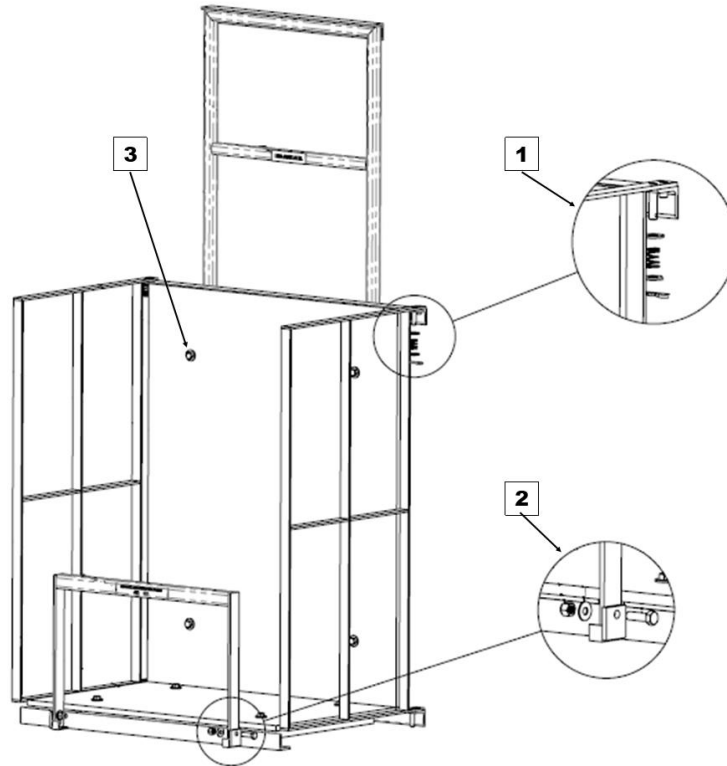
Item	Part Number	Description	Notes
1	10-112	U-Clamp, Maxial Scaffold	---
2	40-29	T-Handle, Maxial Scaff Clamp	---

Section G – Loading Units
Systems Basket 100-5



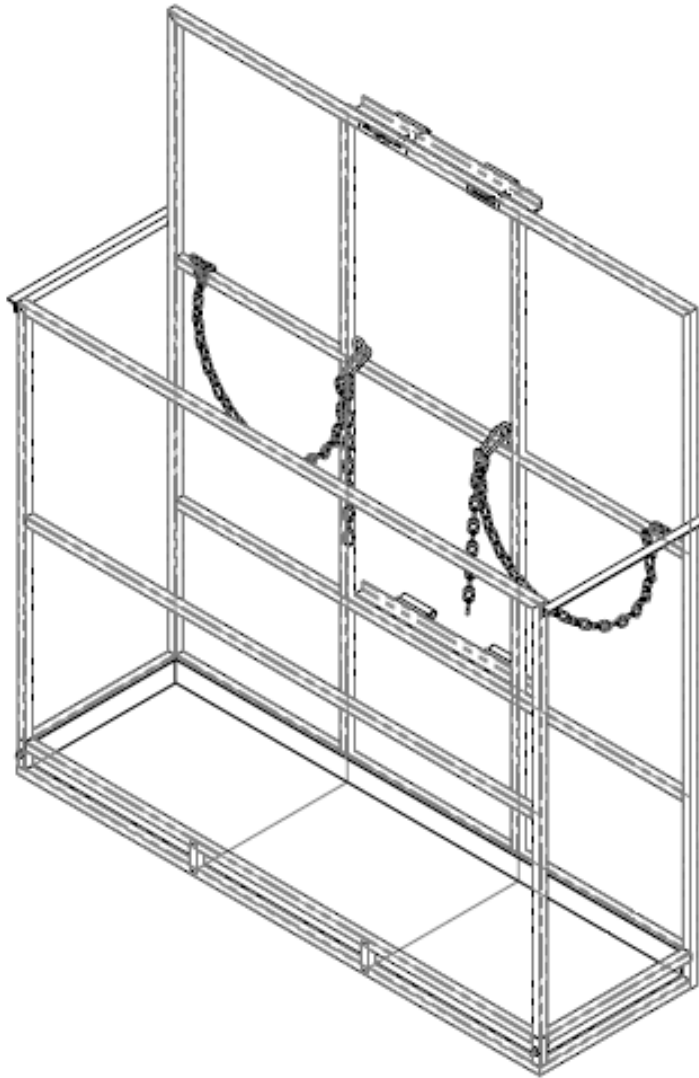
Item	Part Number	Description	Notes
1	90-6	Kwik Bolt	----
--	20-170	Decal, Weight Capacity 225Lbs	Not Shown
--	20-45	Decal, Betamax 1x4	Not Shown

Universal Platform – 100-3



Item	Part Number	Description	Notes
1	000000000000037	Clips, Hitch Pin 1/8x1 15/16	----
1	000000000001922	Spring, Compression	----
1	000000000000052	Washer, Flat 3/8 USS G5	----
2	000000000000160	Bolt, HEX HD 3/8-16x1 ¼	----
2	000000000000052	Washer, Flat 3/8 USS G5	----
2	000000000000561	Nut, Nylock 3/8-16x29/64 G2	----
3	000000000000160	Bolt, HEX HD 3/8-16x1 ¼	----
3	000000000000052	Washer, Flat 3/8 USS G5	----
3	000000000000561	Nut, Nylock 3/8-16x29/64 G2	----
--	20-172	Decal, Weight Capacity 450Lbs	Not Shown
--	20-45	Decal, Betamax 1x4	Not Shown

Frame Scaffold Carrier – 100-2



Item	Part Number	Description	Notes
--	30-277	Chain, Safety	----
--	20-172	Decal, Weight Capacity 450Lbs	Not Shown
--	20-45	Decal, Betamax 1x4	Not Shown