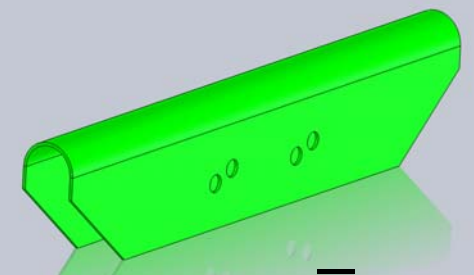


11' SCAFF-TRAC (60-41) ASSEMBLY INSTRUCTIONS

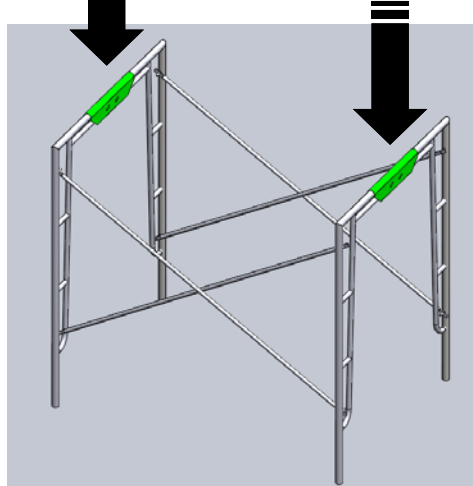
ACCESSORIES REQUIRED IN THIS ASSEMBLY

- HOIST - LEO, GEMINI, NEW YORKER, OR SCORPIO PLUS - WEIGHTS (10-37)
- COUNTER WEIGHT CLAMP SET (60-1)- ROLLER TOP (50-7)

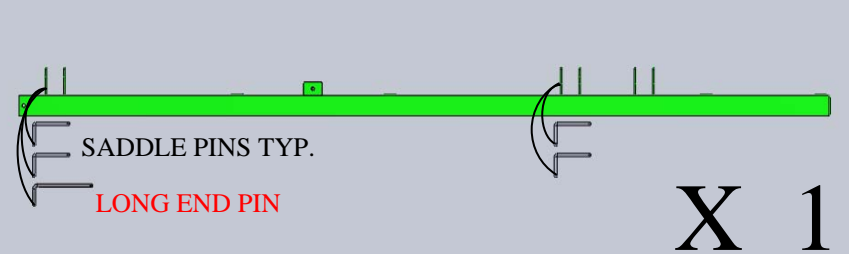
1



X 2
SADDLE

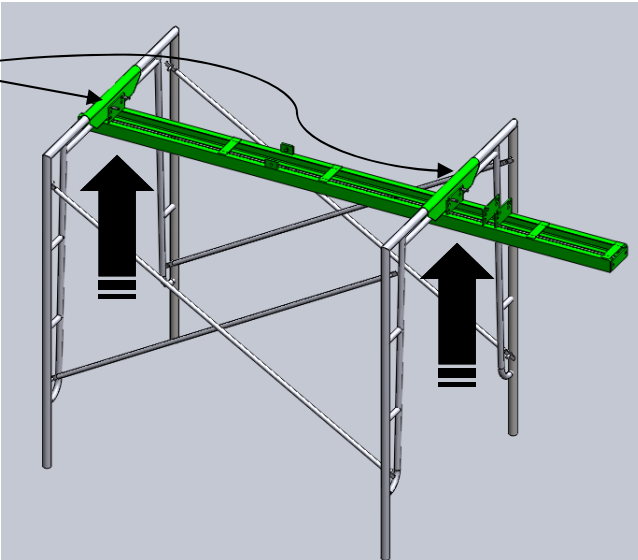


2

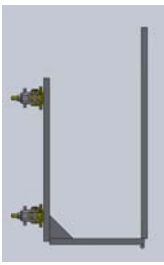


SADDLE PINS TYP.
LONG END PIN
X 1


INSTALL ALL 4 SADDLE PINS
2 EACH SADDLE



3

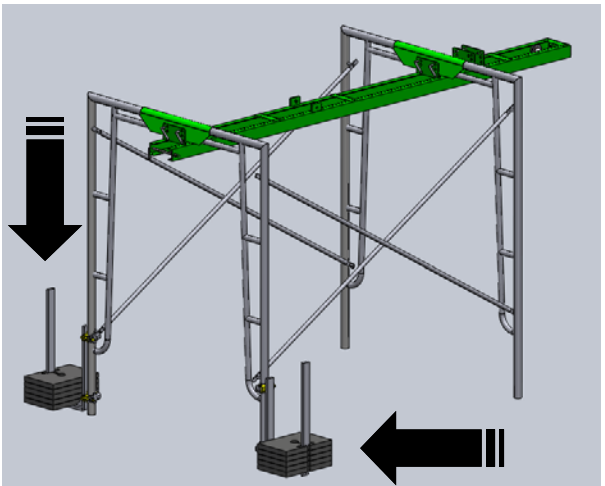


X 2
COUNTER WEIGHT CLAMP SET

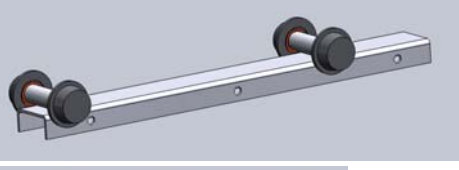


48 LB WEIGHT

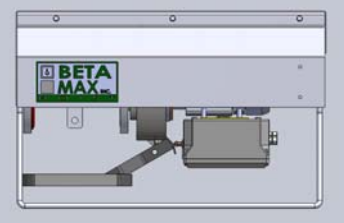
TOTAL LOAD (LBS)	# of WEIGHTS EACH SIDE
750	8
1000	10
1500	15
2000	20



4



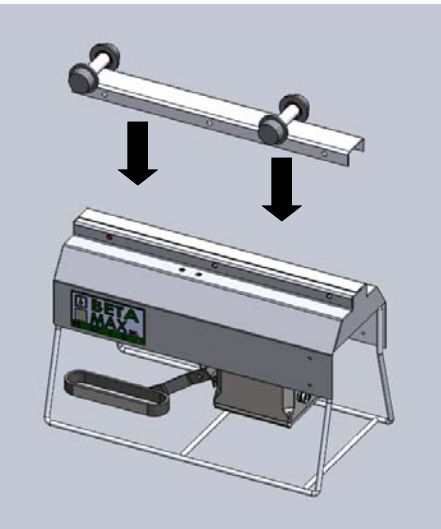
X 1
ROLLER TOP



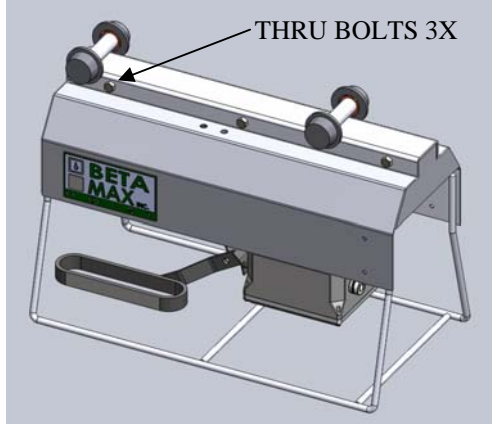
X 1

ONE HOIST EITHER

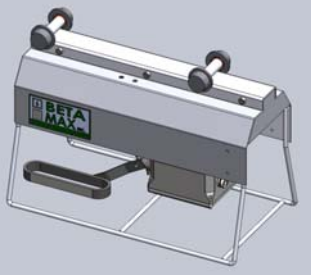
- LEO
- GEMINI
- NEW YORKER
- SCORPIO PLUS



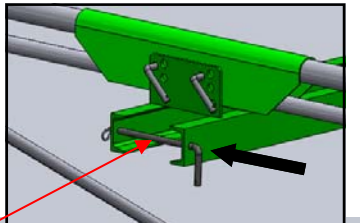
THRU BOLTS 3X



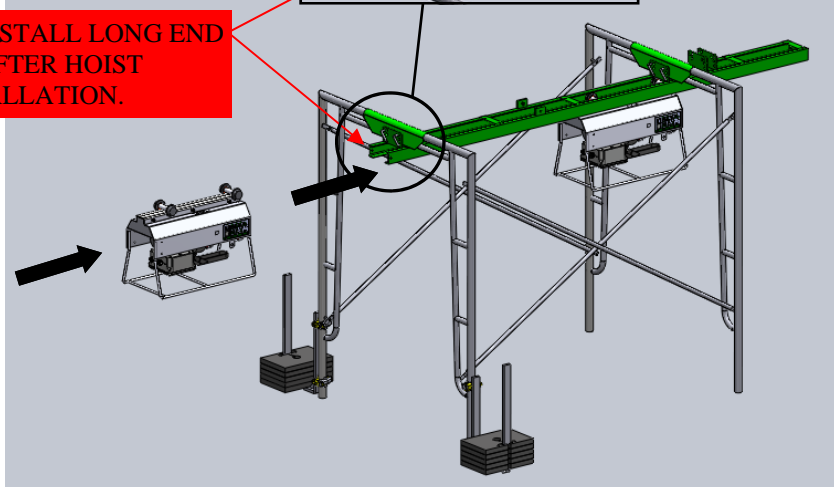
5




X 1
HOIST AND TROLLEY ASSEMBLY



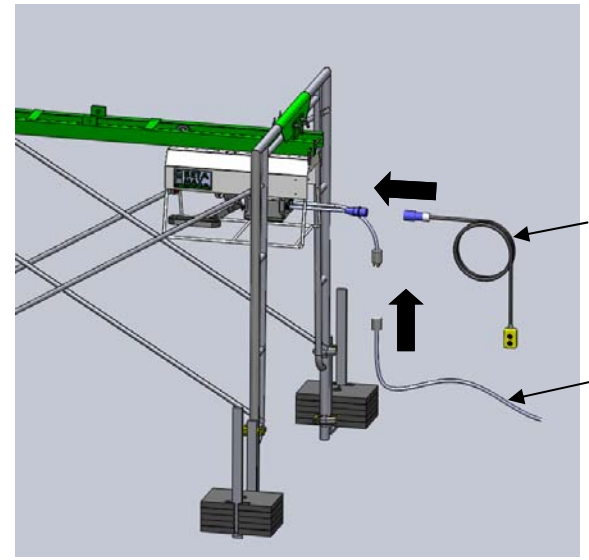
***** INSTALL LONG END PIN AFTER HOIST INSTALLATION.**



6



X 1
CONTROL PENDANT



CONTROL PENDANT

POWER SUPPLY

11' SCAFF-TRAC (60-41)

QUICK START GUIDE

Please read the Beta Max Portable Hoist manual. The manual contains important safety information which must be understood by any operator. This Quick Start Guide does not replace the manual. It only serves as a guide for installation.

