



Maxial Track Hoist REFERENCE GUIDE



Standard Control Box Part No. CUL Series



PN# 30-40-5
MAXIAL CUL
CONTROLLER

PN# 50-36
25' OPERATOR
PENDANT - CUL

PN# 30-9E
POWER
CABLE ASSY

PN# 30-148E
MOTOR
CABLE ASSY

BZ1469 6 PIN FEMALE
BZ1132 HOOD

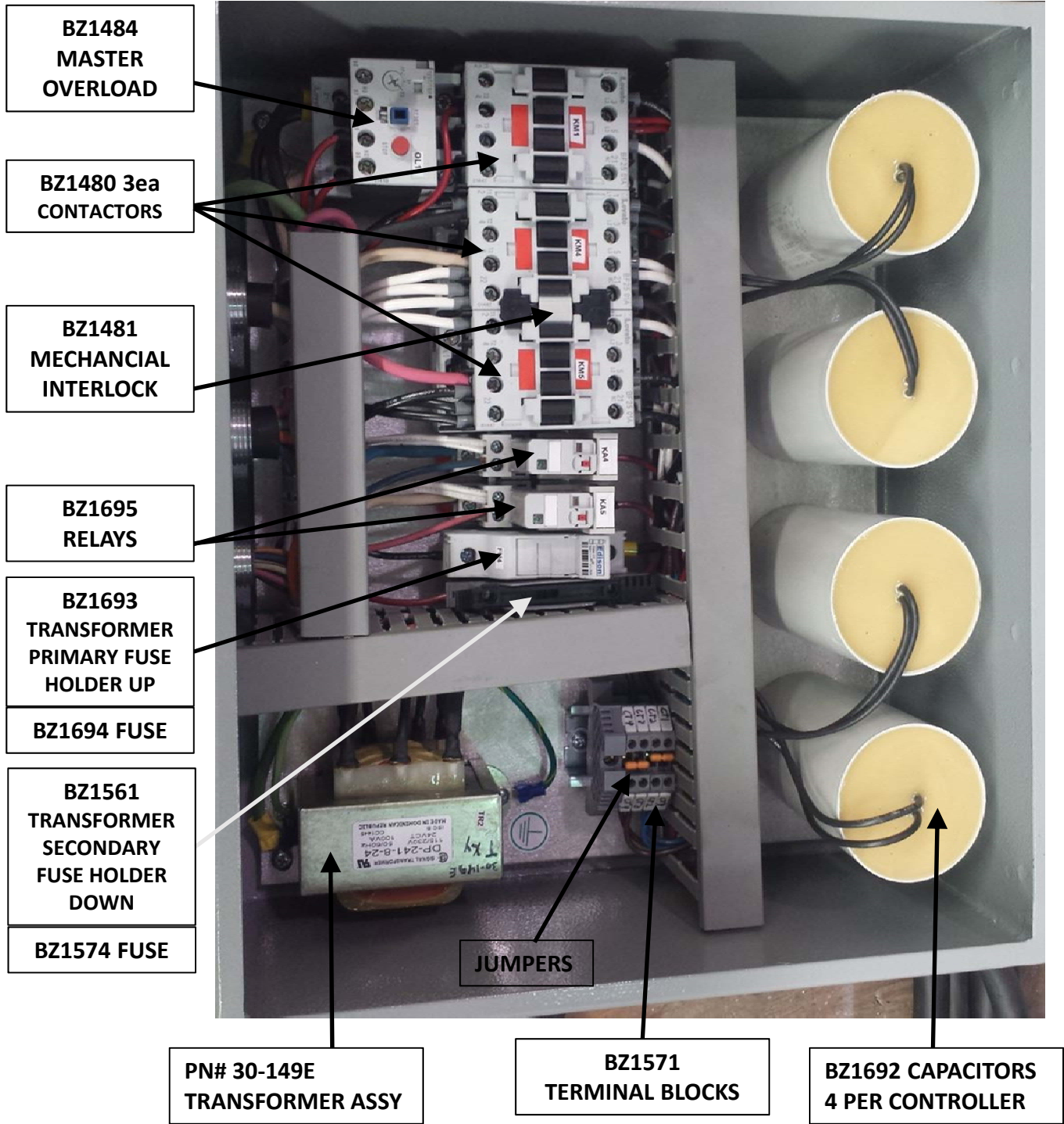
PN# 40-6E
PENDANT
PIGTAIL ASSY

BZ832 6 PIN FEMALE
BZ1872 HOOD CONNECTOR

BZ1911 CUL MALE PLUG
CONNECTS TO 10/3 POWER CABLE
110V/30AMP/1PH

BZ2007 CUL FEMALE RECEPTACLE
CONNECTS TO 10/3 POWER CABLE
110V/30AMP/1PH

30-40-5 Controller



80-25-1 - MAXIAL HOISTING UNIT

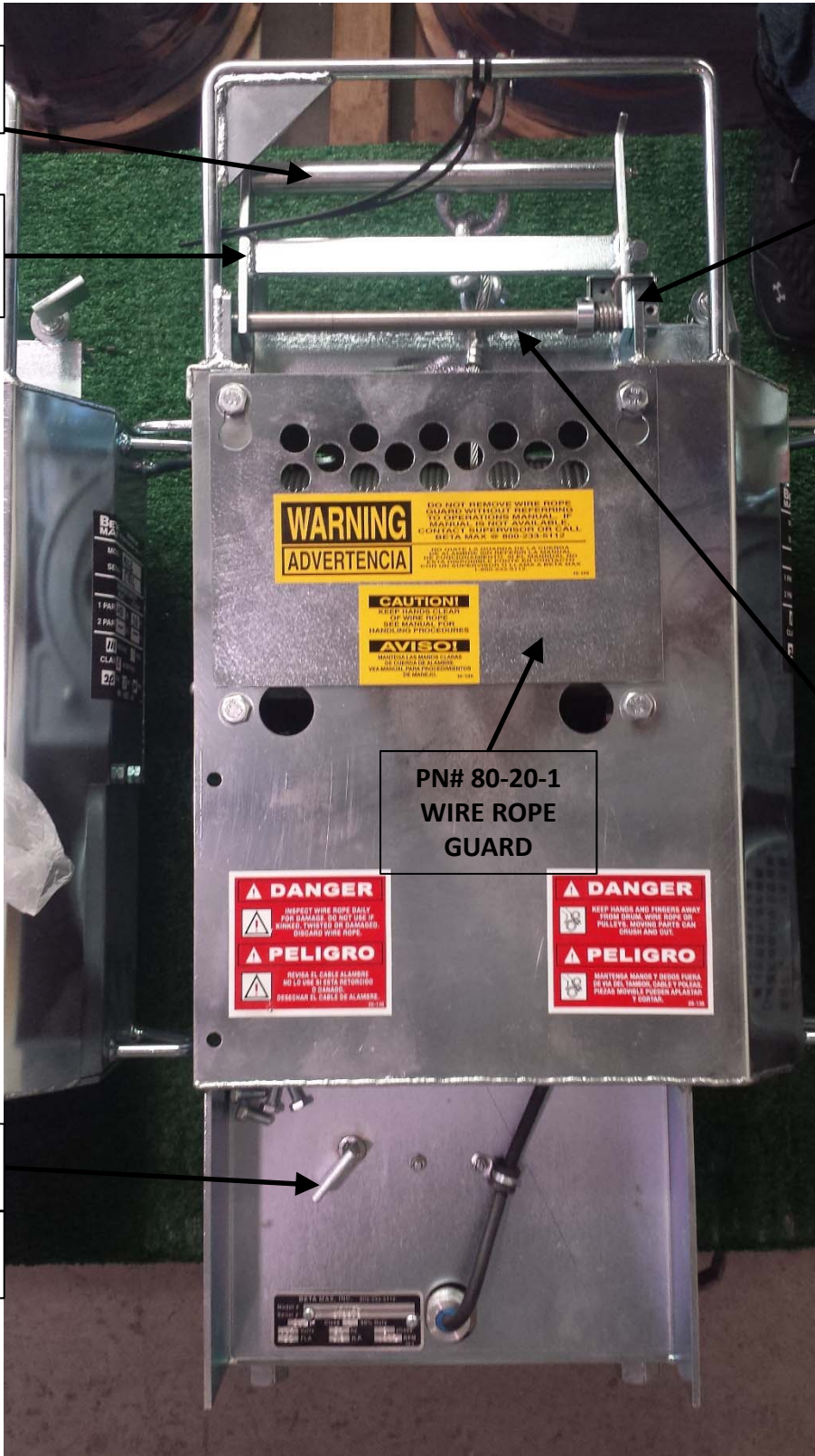
PN# 10-144
SLACK ROLLER

PN# 10-52
SLACK ARM
FRAME

PN# BZ504
SLACK ROPE
SPRING

INSIDE
COMPONENTS
PN# 10-391 –
THREADED ROD
PN# BZ302
BEARING (2)
PN#BZ715
NUT 6MM (2)

PN# 10-84-13
SLACK ROPE
PIN



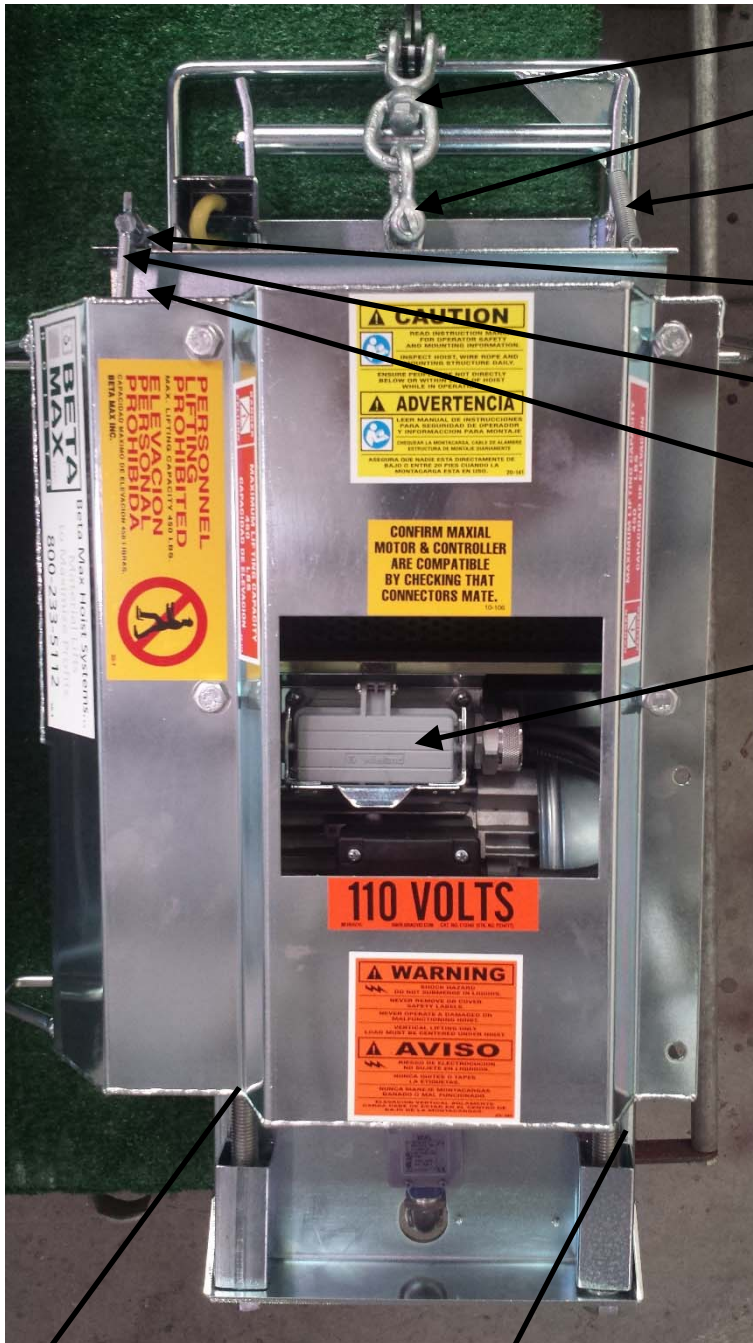
PN# 80-20-1
WIRE ROPE
GUARD

PN# 20-63
RUNG LOCK

PN# BZ1825
RUNG SPRING

BETA MAX INC. 80-25-1-12
Model # 80-25-1-12
Capacity 10,000 LBS. (4,500 KG.)
Speed 100 FPM (30 MPM)
Voltage 240V 3-Phase
Weight 150 LBS. (68 KG.)

80-25-1 - MAXIAL HOISTING UNIT



PN# BZ1632 SWIVEL EYE 3/8"

PN# BZ244 SHACKLE 3/8"

PN# BZ685
SLACK ROPE SPRING

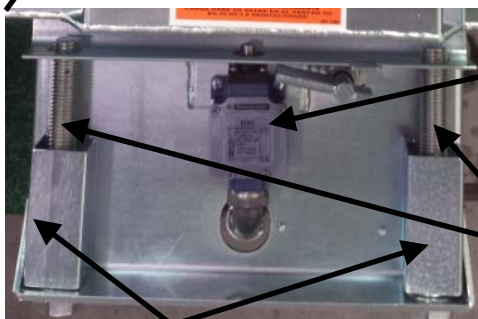
PN# BZ1825
RUNG LOCK SPRING

PN# 20-63
RUNG LOCK

PN# BZ122
SLACK ROPE UNIT
SWITCH

PN# 30-39-1 ASSEMBLY

PN# BZ185
CONNECTOR COVER
PN# BZ853
BLANKING PLUG
PN# BZ1470
6 PIN CONNECTOR
PN# BZ842
CORD GRIP CONNECTOR



PN# 40-8
LIMIT SWITCH

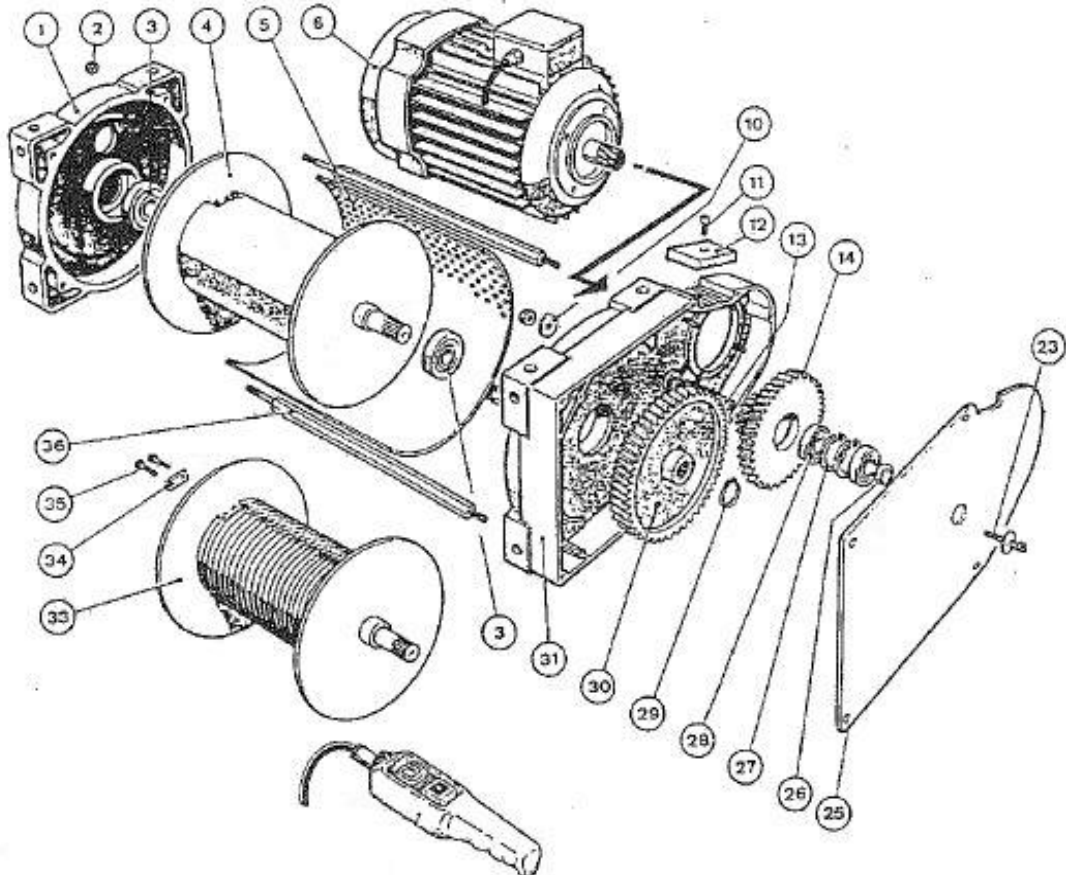
PN# 40-48
MAXIAL ADJUSTMENT BOLTS
PN# BZ95 SPRINGS

PN# 40-49 SLEEVES

30-69-1/30-69-4 Shroud Ready Maxial Motor

PLEASE SPECIFY THE SERIAL NUMBER OF THE HOIST FOR ALL SPARE PARTS ORDERS

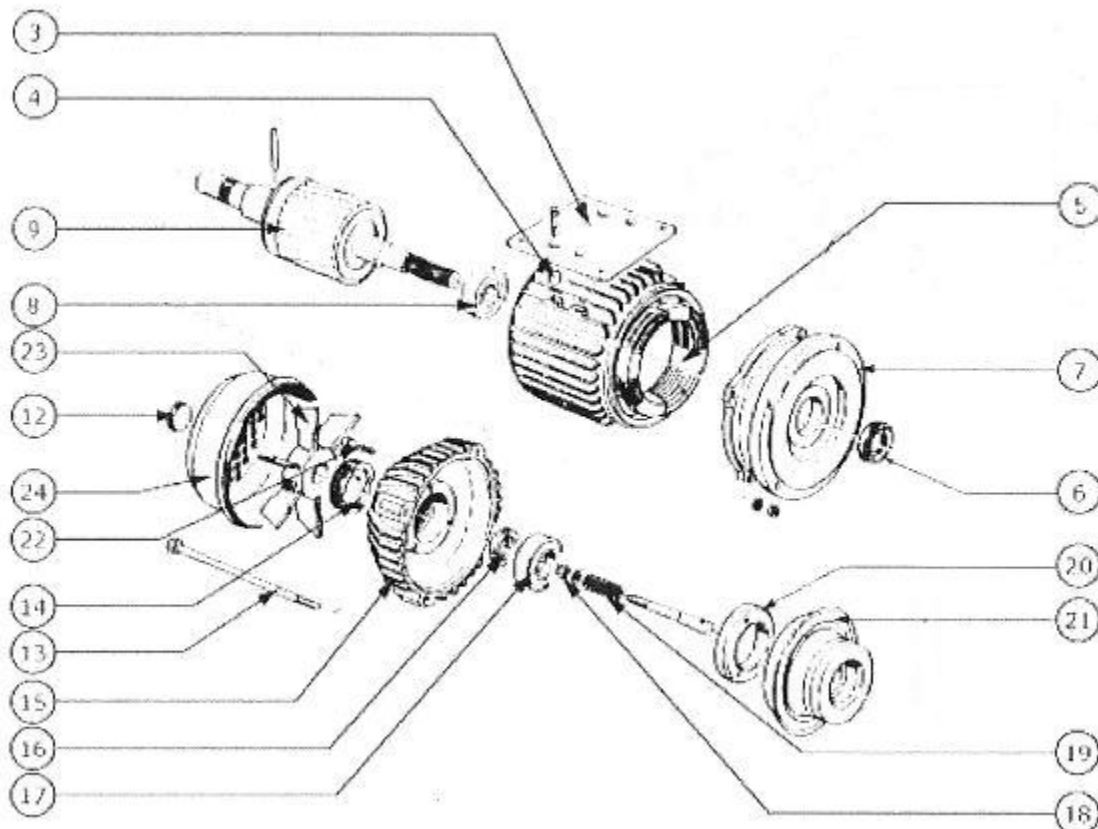
Item	Part Number	Description	Item	Part Number	Description
1	10-153	Flange	25		Cover
2		Blind Nut	26		Spacer
3	10-154	Bearing 6005-1 RS	27		Circlips 140
4		Smooth Drum Sub-Assembly			Circlips 135
5	10-143	Protective Plate	28	10-163	Bearing 6203
6	10-110	110V Motor		BZ 1442	Bearing 6003
	10-110-1	220V Motor	29		Circlips E25
10		Washer	30		92 Tooth Gear
11		Screw CHC	31		Cover
12		Wire Clamp	33	DNS	Grooved Drum Assembly
13	BZ 1802	Intermediate Shaft	34	70-35	Cable Clamp
14	10-158	25/99 Tooth - Gear Sub-Assembly	35		Screw
23		Screw CHC	36		Tie Rod
			46		Control Pendant
				50-36	UL Control Pendant



10-110/10-110-1 Motor/Brake Assembly

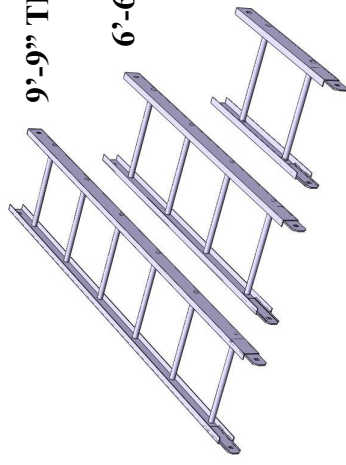
PLEASE SPECIFY THE SERIAL NUMBER OF THE HOIST FOR ALL SPARE PARTS ORDERS

Item	Part Number	Description	Item	Part Number	Description
3	10-111D	Housing Mounting Plate	15	10-55	Rear Shield
5	10-121	110V Stator	16	10-53	Auto Locking Nut
	10-139	220V Stator	17	10-180	Rear Bearing
6		Oil Splash Guard	18	DNS	Auto Locking Nut
7	20-94	Inner Flange	19	10-41	Spring
8	BZ 523	Front Bearing	20	10-54	Auto Locking Ring Nut
9		Rotor Shaft (non-stock)	21	20-55	Complete Brake Lock
12	20-57	Fan Cover Plug	22	BZ 8	Hex Head Screws (3)
13	10-48	Tie Rod	23	20-58	Fan
14	10-49	Adjustment Ring Nut	24	20-56	Fan Cover



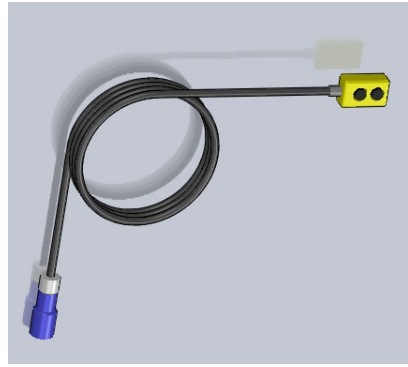
BETAMAX, INC - MAXIAL SYSTEM COMPONENT IDENTIFICATION

9'-9" TRACK SECTION (90-2) WT. 30 LBS.

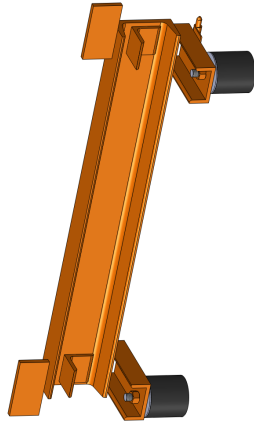


6'-6" TRACK SECTION (90-1) WT. 21 LBS.

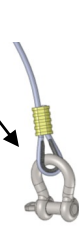
3'-3" TRACK SECTION (90-5) WT. 13 LBS.



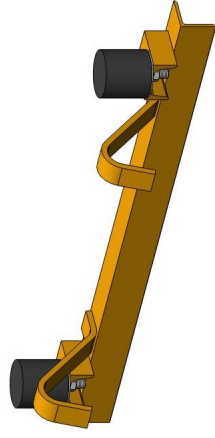
25' OPERATING CONTROL PENDANT (50-35) WT. 5 LBS.



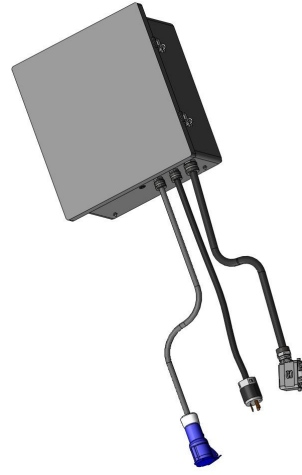
MAXIAL TOP STOP (80-8) WT. 12 LBS.



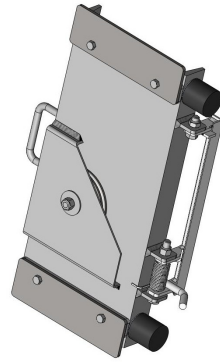
3/8 SHACKLE (BZ244) WT. 0.4 LBS.



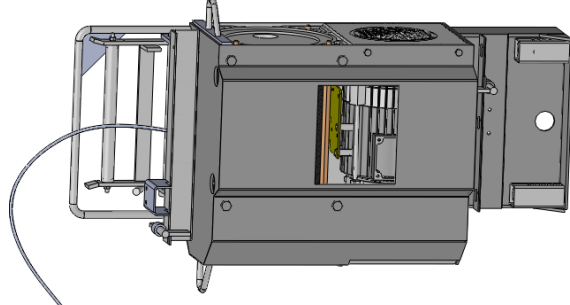
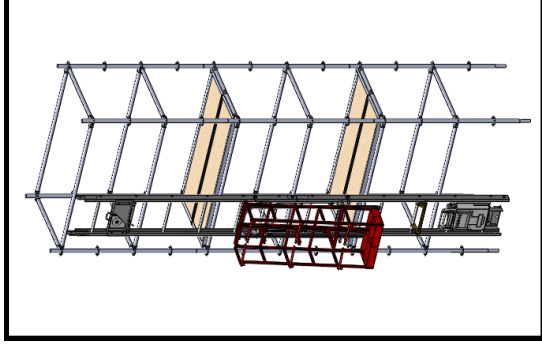
MAXIAL BOTTOM STOP (80-4) WT. 6 LBS.



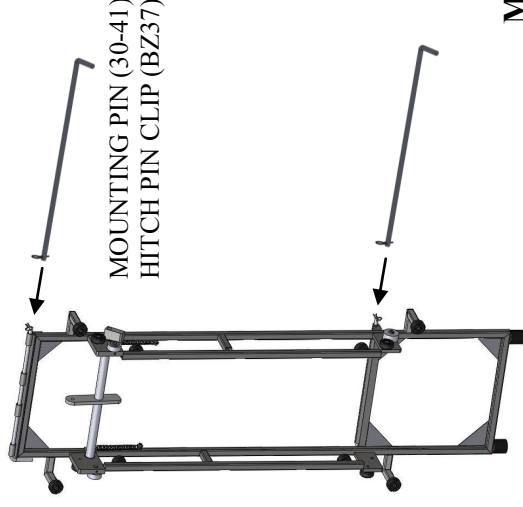
MAXIAL CONTROLLER (30-40-1) WT. 30 LBS



MAXIAL STANDARD SLIDING HEAD (80-2) WT. 18 LBS

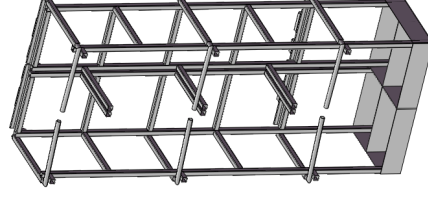


MAXIAL HOISTING MOTOR 350' (80-25-1) WT. 166 LBS.

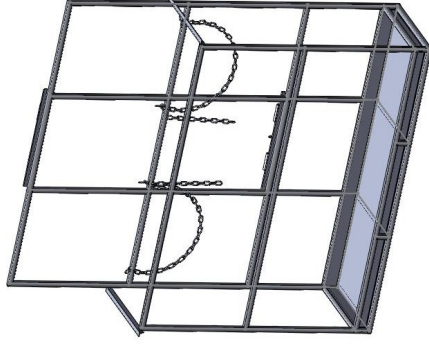


MOUNTING PIN (30-41)
HITCH PIN CLIP (BZ37)

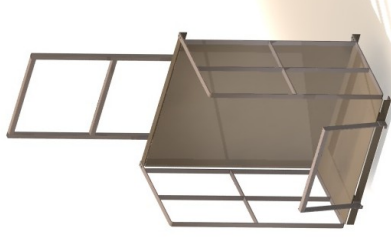
MAXIAL UNIVERSAL CARRIAGE (200-1) WT. 60 LBS.



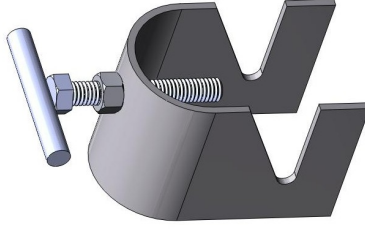
MAXIAL SYSTEM SCAFFOLD CARRIER (200-3) WT. 96 LBS.



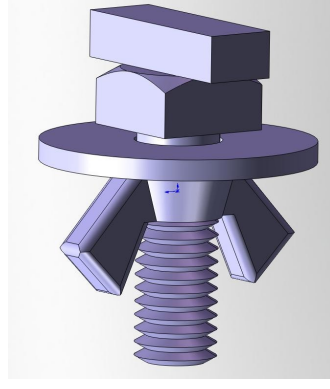
MAXIAL FRAME SCAFFOLD CARRIER (100-2) WT. 114 LBS.



MAXIAL UNIVERSAL PLATFORM (100-3) WT. 84 LBS.



MAXIAL SCAFFOLD CLAMP (90-4) WT. 0.8 LBS.



MAXIAL KWIK BOLT (90-6) WT. 0.2 LBS.



800-233-5112
P.O. BOX 2750
MELBOURNE, FL 32902
BETAMAXHOIST.COM