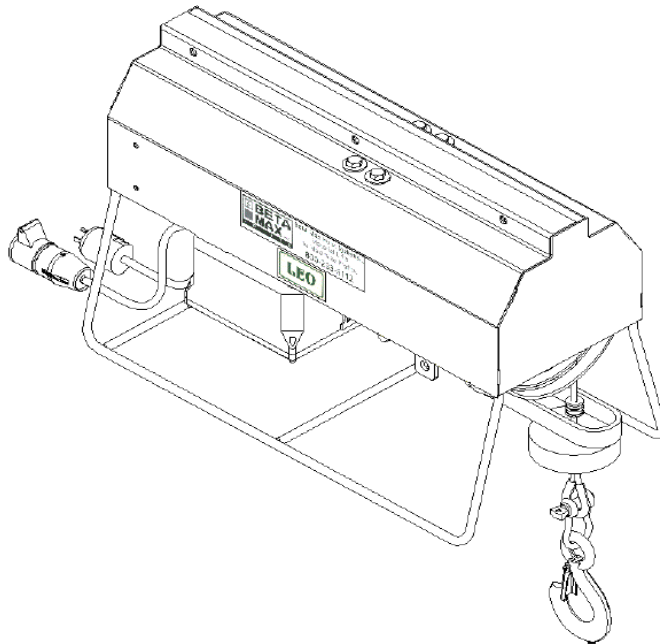




PORTABLE WIRE ROPE HOIST

BETA MAX

Leo VFD *With Options



PARTS MANUAL

Rev. 1.4 - 2018

1895 Robert J. Conlan Blvd
Palm Bay, FL 32905
P: 800.233.5112 --- F: 321.768.9517
www.betamaxhoist.com

Descriptions and photos are only to be considered as pure illustrations. They may or may not be exact representation due to updated and revised changes made to the product.

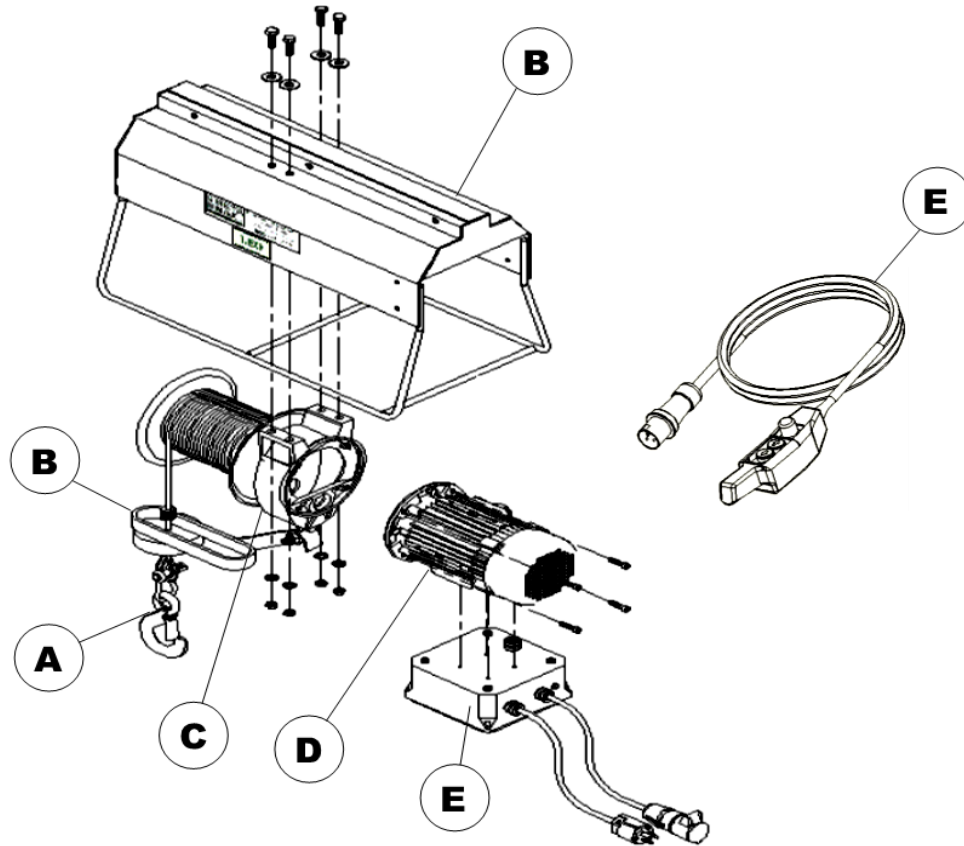
According to continuous technological innovations, Beta Max, Inc. reserves the right to make any modifications with the intention of improving the product without notice.

All rights reserved.

Copyright © 2016 BETA MAX, Inc.

Reproduction of this document by any means, in whole or in part, is prohibited without the authorization of BETA MAX, Inc.

Sections Exploded View

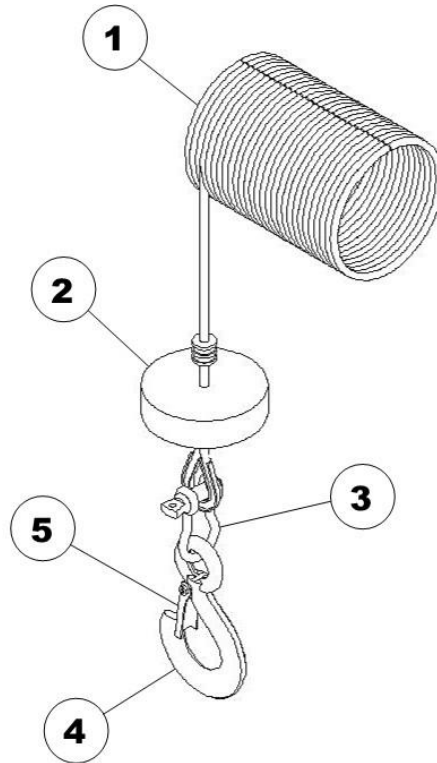


Section	Description	Page
A	Wire Rope	1
B	Shroud Structure & Up Limit Bar	3
C	Transmission & Drum	5
D	Motor & Brake	9
E	Electrical Control System	13
F	Mounting Options	17

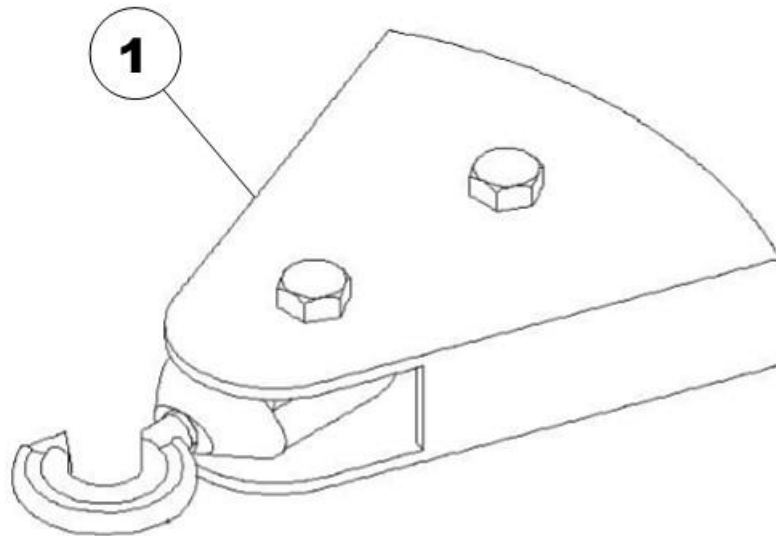


This page has been left blank for formatting purposes

Section A – Wire Rope

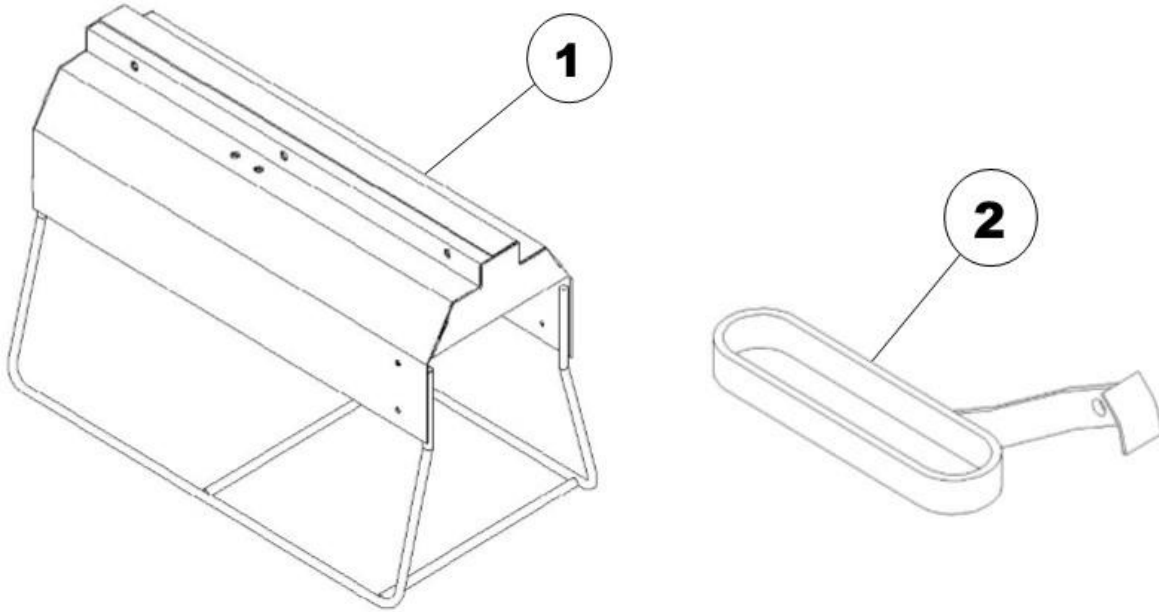


Item	Part Number	Description	Notes
1	40-41	Wire Rope Kit	Includes items 2, 3, & 4
2	20-2	Cable Weight	----
3	000000000000553	½" Shackle	----
4	000000000001631	2 Ton Hook	----
5	--	Safety Latch	Not Sold Separately



Item	Part Number	Description	Notes
1	70-2	Double Rope Kit (Heavy Duty)	Includes items 2-4
2	20-177	Decal 2000 lb Cap.	----
3	20-144	Decal Warning Double Rope Pulley	
4	00000000001776	½" Swivel Jaw-eye	Not Shown

Section B – Shroud Structure & Up Limit Bar

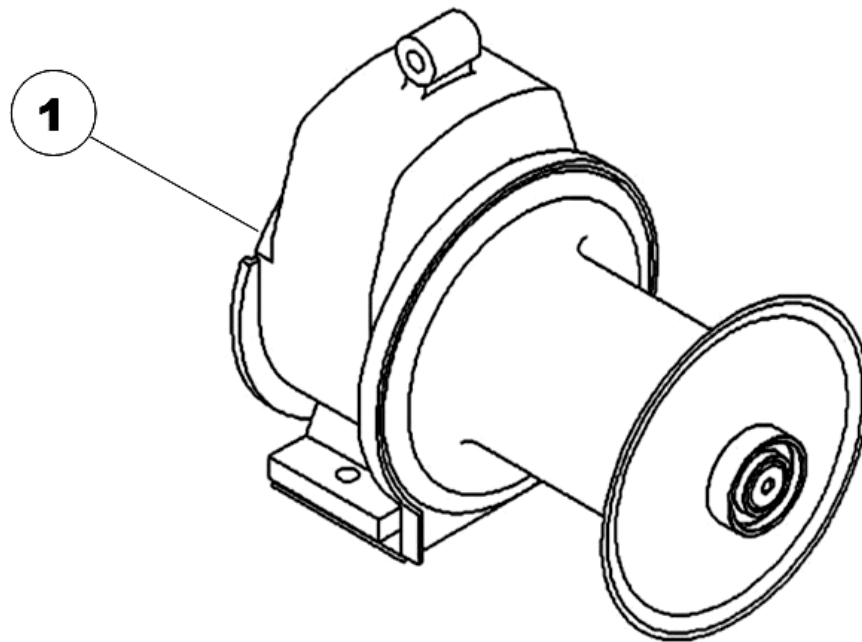


Item	Part Number	Description	Notes
1	40-28	Shroud	----
2	30-56-1	Up Limit Bar	----
3	30-125	Leo Decal Set	Not Shown

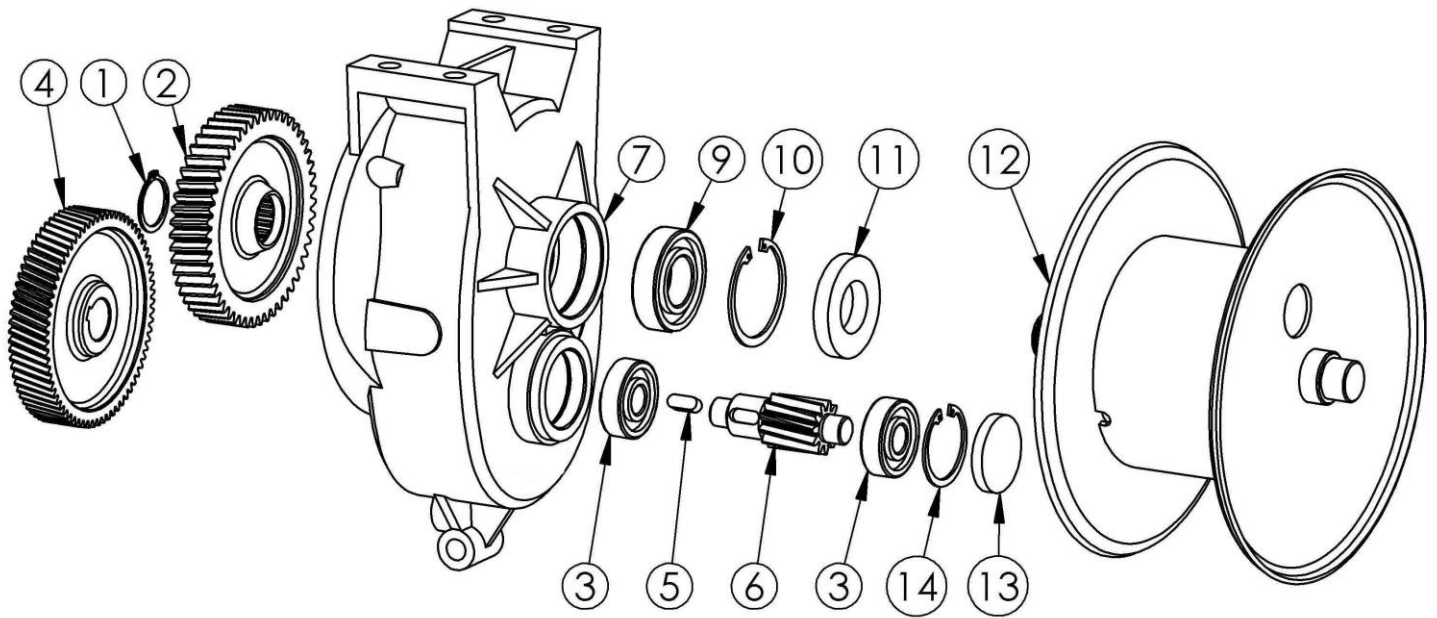


This page has been left blank for formatting purposes

Section C – Transmission & Drum



Item	Part Number	Description	Notes
1	10-80-1	Transmission & Drum Sub-assembly	Includes item 1-15 on pages 6 to 7



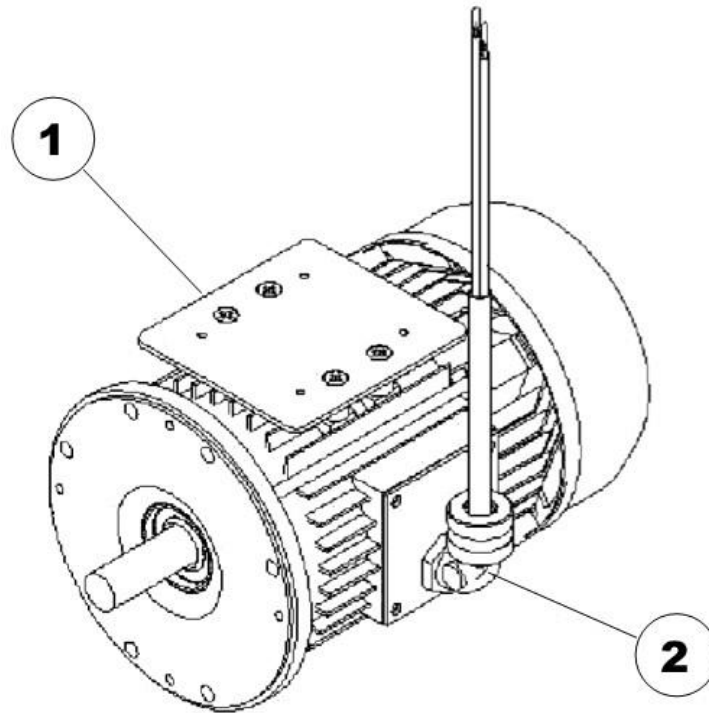


Item	Part Number	Description	Notes
1	10-196	Retaining Ring	----
2	00000000001801	Drum Gear	----
3	10-197	Bearing	----
4	00000000001760	Intermediate Gear	----
5	----	Key	Not Sold Separately (BZ1802)
6	00000000001802	Intermediate Shaft	Includes item 5
7	----	Housing	Not Sold Separately (20-154)
8	10-188	Spacer	----
9	10-180	Bearing	----
10	10-181	Retaining Ring	----
11	10-182	Oil Seal	----
12	10-80-1	Drum	----
13	10-192	Stopper	----
14	10-193	Retaining Ring	----
15	0000000000523	Drum End Bearing	Not Shown

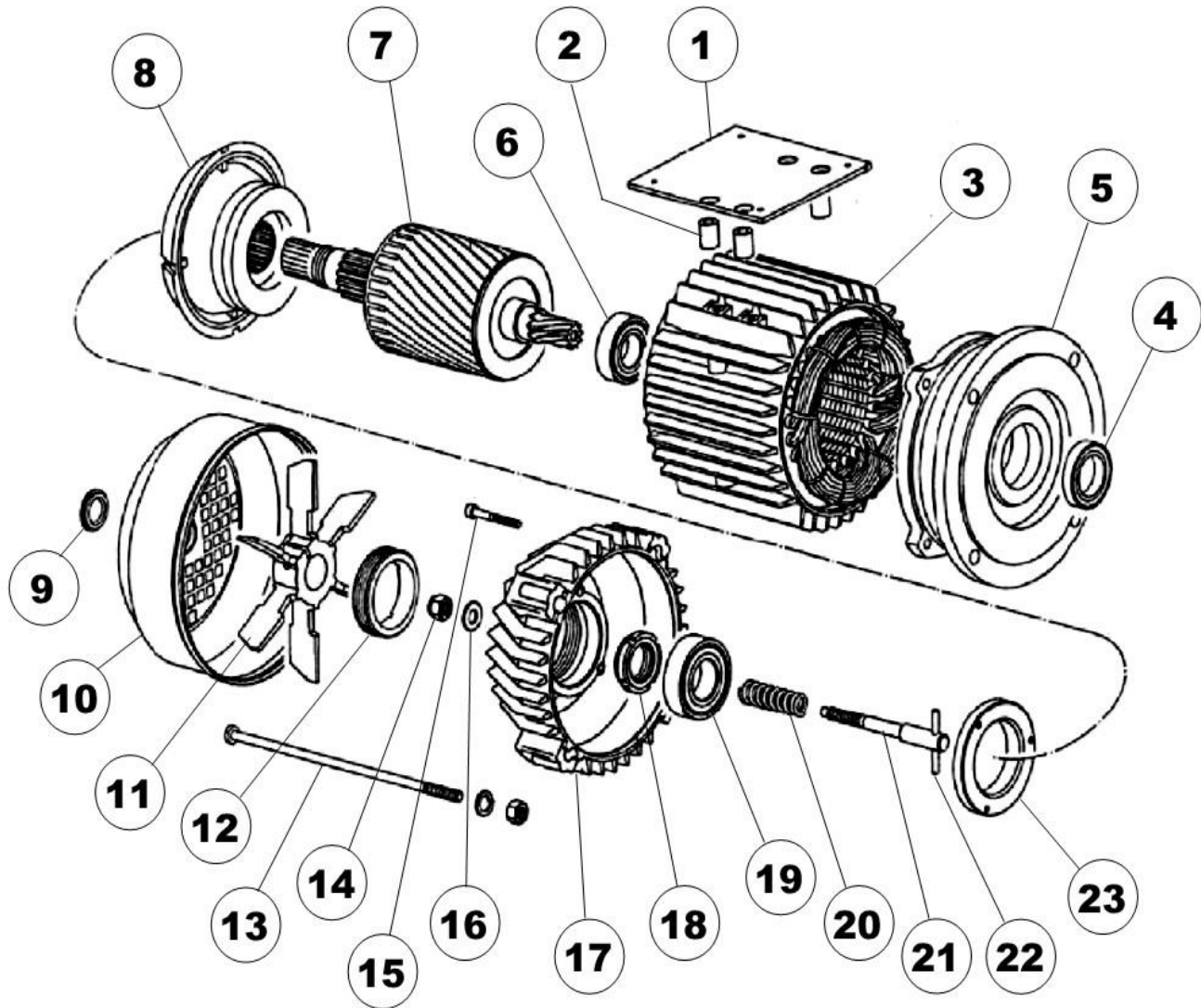


This page has been left blank for formatting purposes

Section D – Motor & Brake



Item	Part Number	Description	Notes
1	30-872	Motor & Brake Sub-assembly	Includes item 2 and items 1-23 on pages 10 to 11
2	30-7	Power Connection Sub-assembly	----



Item	Part Number	Description	Notes
1	----	Plate	Not Sold Separately (10-148)
2	----	Spacer	Not Sold Separately (10-148)
3	10-148	Stator	----
4	0000000000808	Oil Seal	----



Item	Part Number	Description	Notes
5	----	Front Flange	Not Sold Separately (30-872)
6	0000000000523	Front Rotor Bearing	----
7	10-148-1	Rotor/Brake Assembly	Includes items 6, 8, 12, & 14-23
8	20-55	Brake Pad	----
9	20-57	Fan Cover Plug	----
10	20-56	Fan Cover	----
11	20-58	Fan	----
12	10-49	Outer Air Gap Adjusting Nut	----
13	10-48	Tie Rod	----
14	00000000002034	Self-Locking Nut	----
15	00000000000008	Bolt	----
16	00000000002196	Flat Washer	----
17	10-55	Motor End Cap	----
18	10-53	Self-Locking Ring	----
19	10-180	Rear Rotor Bearing	----
20	10-690	Spring	----
21	20-86	Brake Tension Adjustment Kit	Includes items 14, 16, 20, & 22
22	----	T-Rod	Not Sold Separately (20-87)
23	10-54	Inner Air Gap Adjusting Plate	----



This page has been left blank for formatting purposes

Section E – Electrical Control System

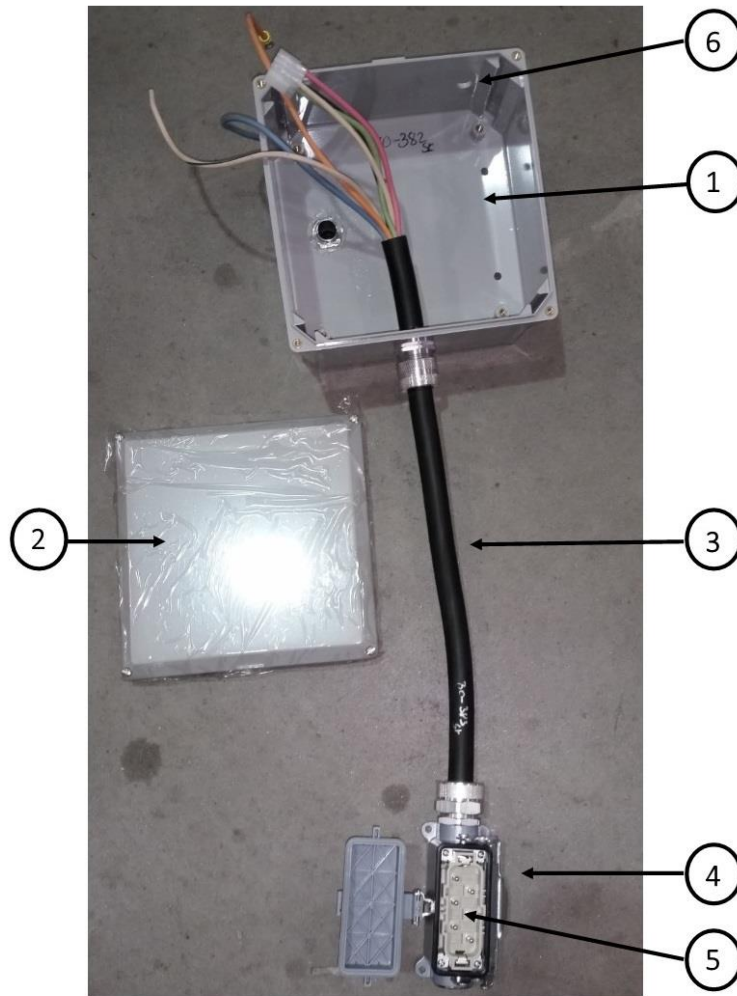


1

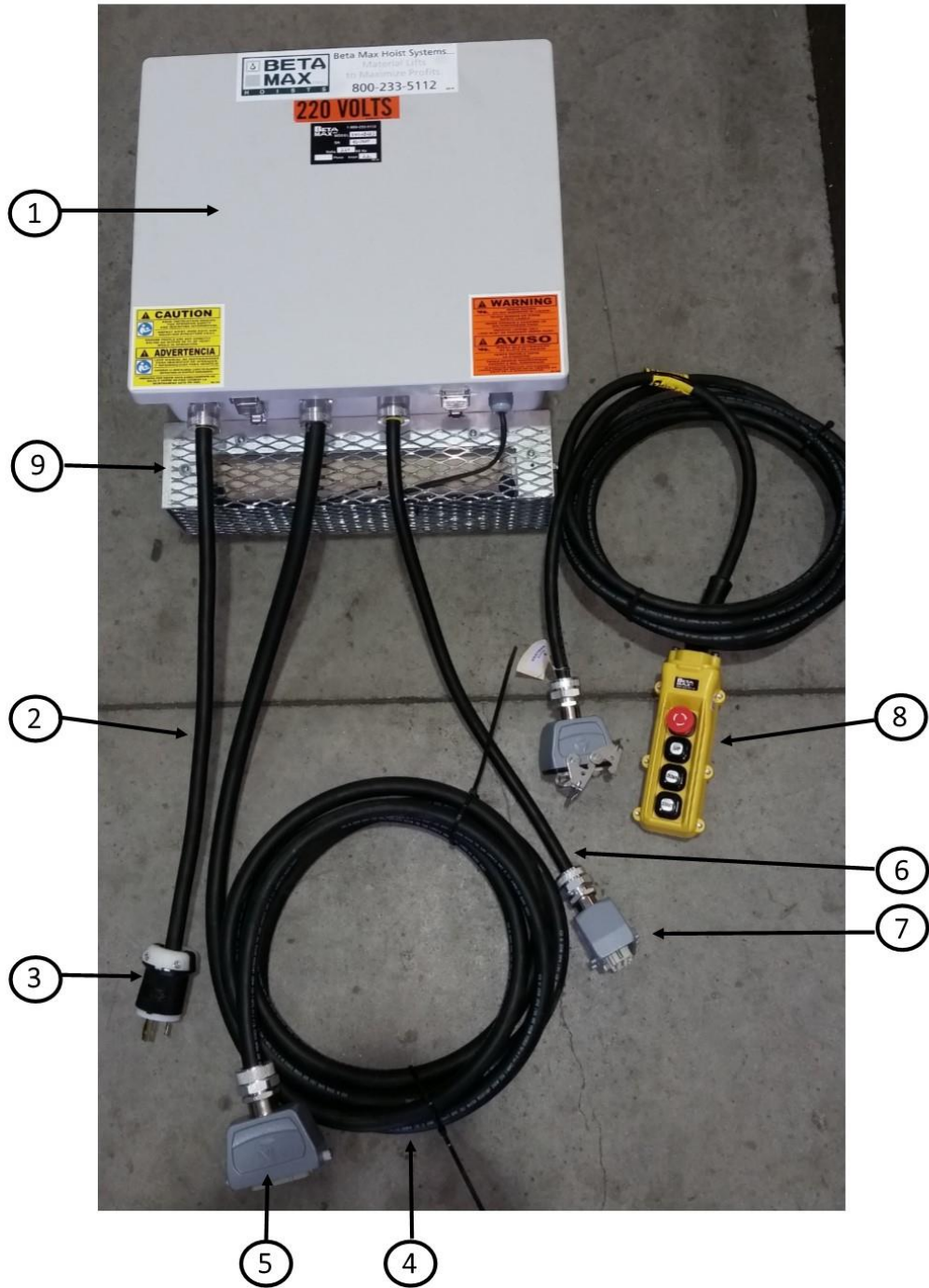


2

Item	Part Number	Description	Notes
1	30-382	Enclosure Sub-assembly	----
2	50-20-2	Controller Assembly	Optional (50-20-3) Shown
2	50-20-3	Controller Assembly w/ Wireless	----

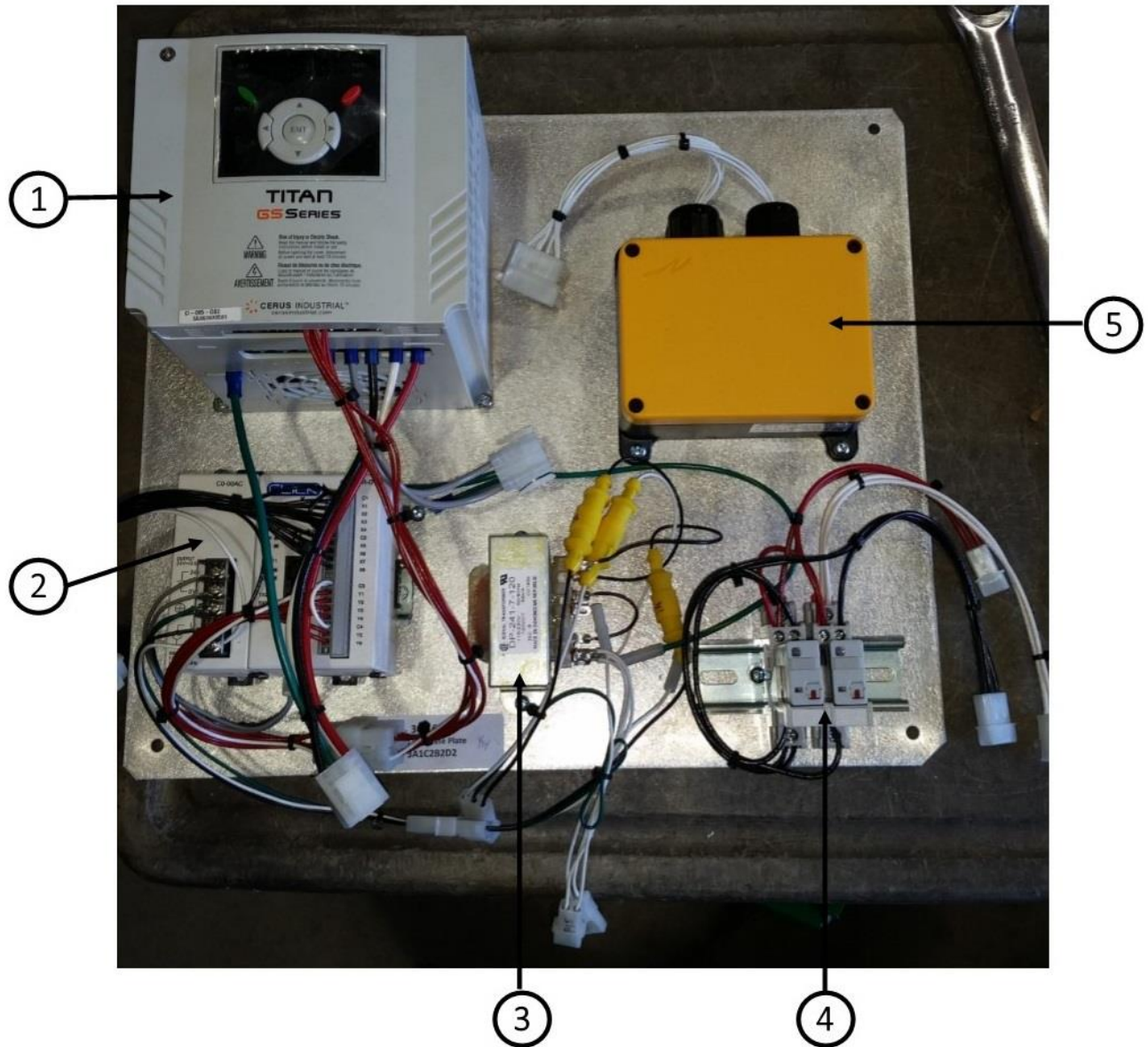


Item	Part Number	Description	Notes
1	000000000000069	Enclosure	----
2	000000000000070	Enclosure Lid	----
3	30-383	Motor Pigtail Assembly	Includes Items 4&5
4	000000000000185	Bulkhead Connector	----
5	0000000000001470	6 Pole Male Connector	----
6	000000000000073	Limit Switch	Not Shown





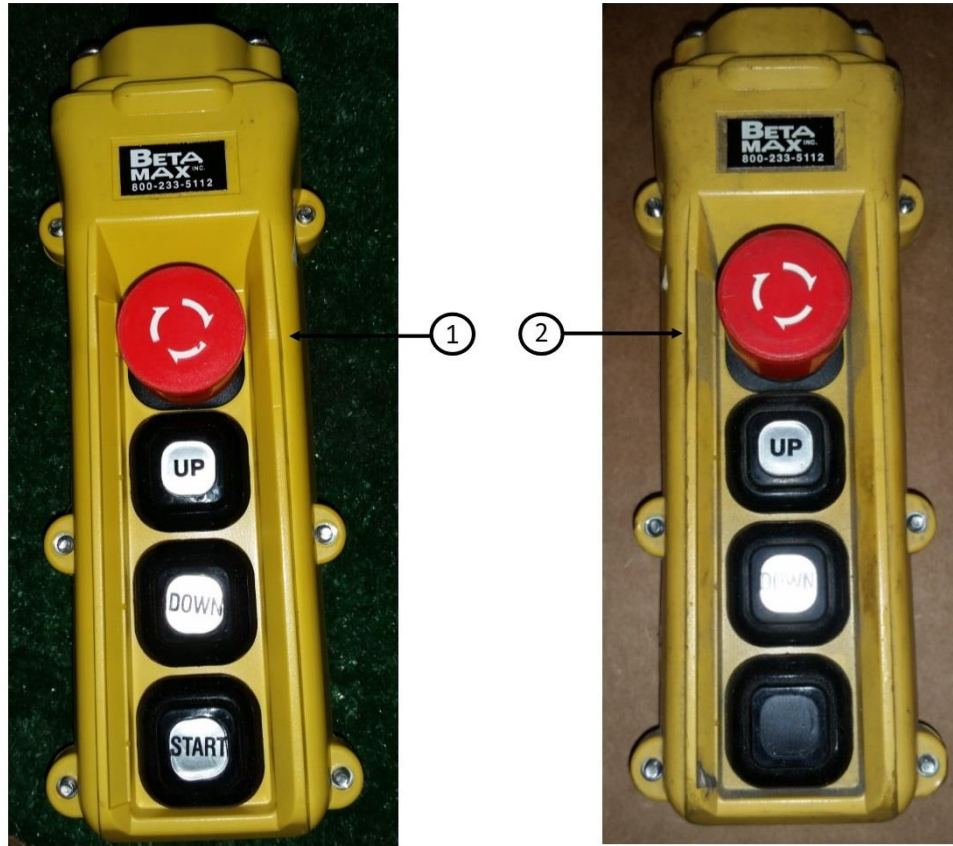
Item	Part Number	Description	Notes
1	30-384	Enclosure Assembly	----
2	30-372	Power Pigtail Assembly	----
3	00000000001287	Plug-30A 250V Male	----
4	30-379	Motor Cable Assembly	----
5	00000000001132 00000000001469	Hood Top Entry 6 Pole Female Insert	----
6	30-19-1	Pendant Pigtail Assembly	----
7	00000000000020 00000000000019	Hood Top Entry 10 Pole Female Insert	----
8	30-71	Control Pendant	Not Shown
8	30-71-3	Control Pendant Wireless	----
9	30-19-3	Resistor Assembly	Includes Resistor BZ1449
10	30-390	Decal Kit	----



Item	Part Number	Description	Notes
1	30-222	Titan GS Series VFD Assembly	----
2	30-604	PLC Assembly	----
3	30-185-1	Control Transformer Assembly	----
4	30-434-3	Wireless Relay Assembly	Optional Needed With #5
5	30-434-2	Wireless Receiver Assembly	Optional



Item	Part Number	Description	Notes
1	30-434-4	Wireless Wire Harness	For Wireless Option

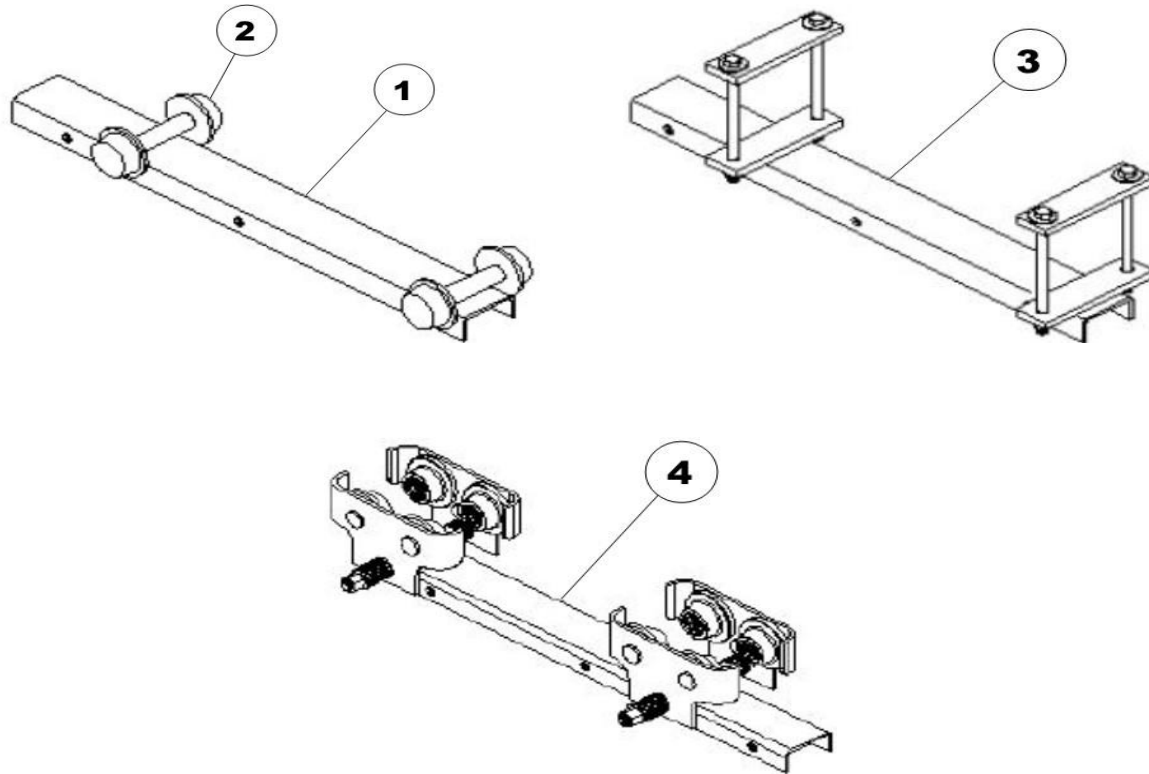


Item	Part Number	Description	Notes
1	30-71-3	Wired Pendant Assembly	For Optional Wireless Unit
2	30-71	Wired Pendant Assembly	For Standard Unit



Item	Part Number	Description	Notes
1	10-664	Wireless Transmitter Assembly	----
2	10-262	Decal	----

Section F – Mounting Options



Item	Part Number	Description	Notes
1	50-7	Roller Top	Includes item 2
2	20-71	Roller	Sold Separately (4 Required)
3	60-8	Fixed Top	----
4	60-25	1 Ton Trolley Top	----
--	60-19	Guide Plate	Not Shown
--	30-34-1	Guide Plate Wheels	Sold Separately (2 Required)



This page has been left blank for formatting purpose