

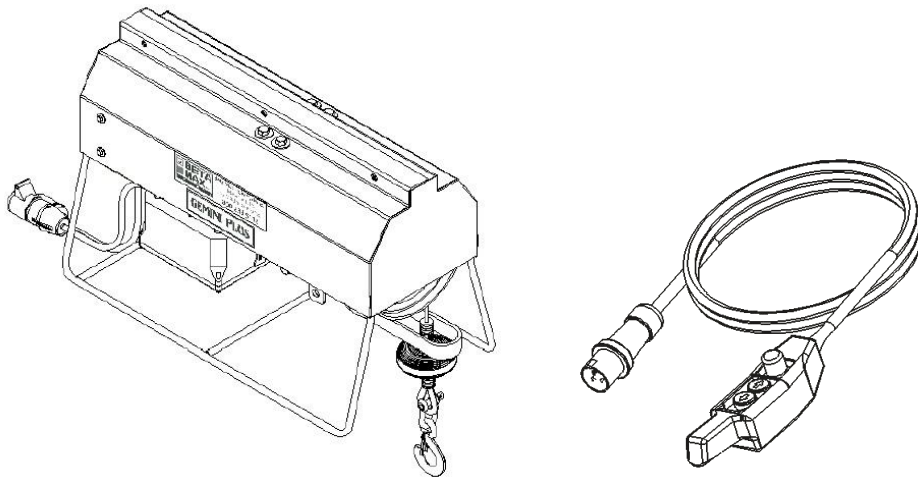


Original Instructions

PORTABLE WIRE ROPE HOIST

BETA MAX

Gemini Plus 220



PARTS MANUAL

Rev. 1.4 - 2018

1895 Robert J. Conlan Blvd
Palm Bay, FL 32905
P: 800.233.5112 --- F: 321.768.9517
www.betamaxhoist.com

Descriptions and photos are only to be considered as pure illustrations. They may or may not be exact representation due to updated and revised changes made to the product.

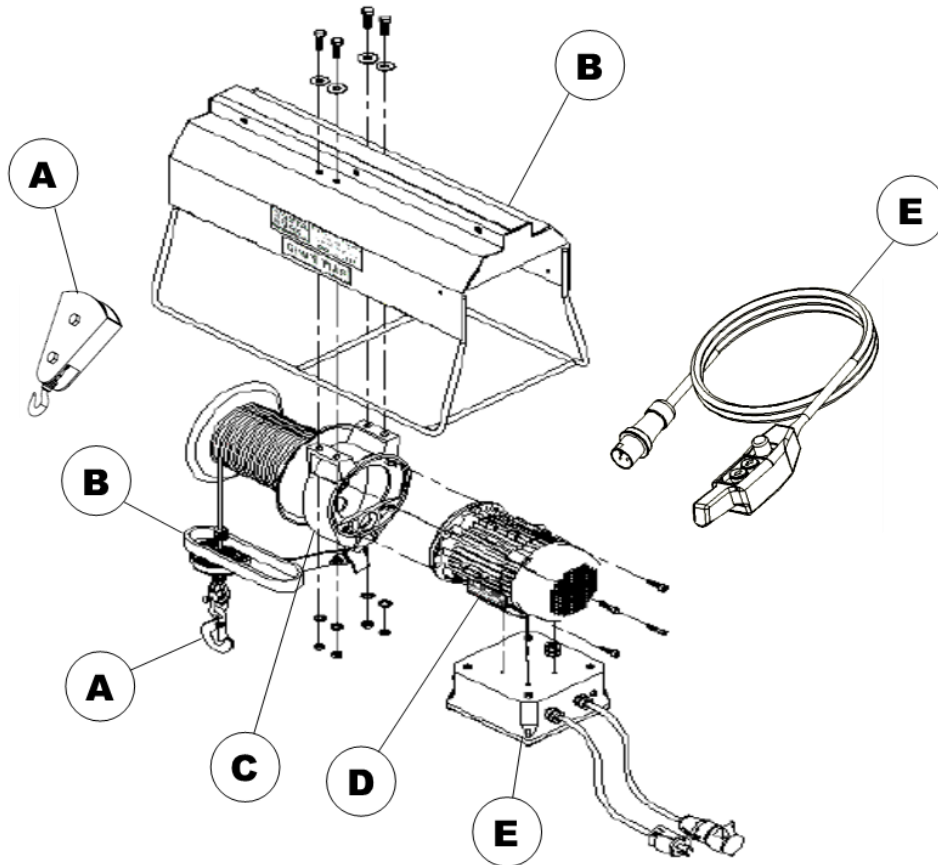
According to continuous technological innovations, Beta Max, Inc. reserves the right to make any modifications with the intention of improving the product without notice.

All rights reserved.

Copyright © 2016 BETA MAX, Inc.

Reproduction of this document by any means, in whole or in part, is prohibited without the authorization of BETA MAX, Inc.

Sections Exploded View

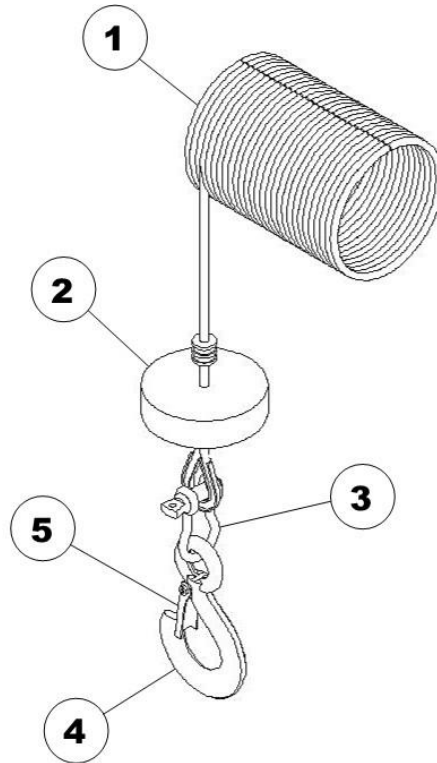


Section	Description	Page
A	Wire Rope	1
B	Shroud Structure & Up Limit Bar	3
C	Transmission & Drum	5
D	Motor & Brake	9
E	Electrical Control System	13
F	Mounting Options	18

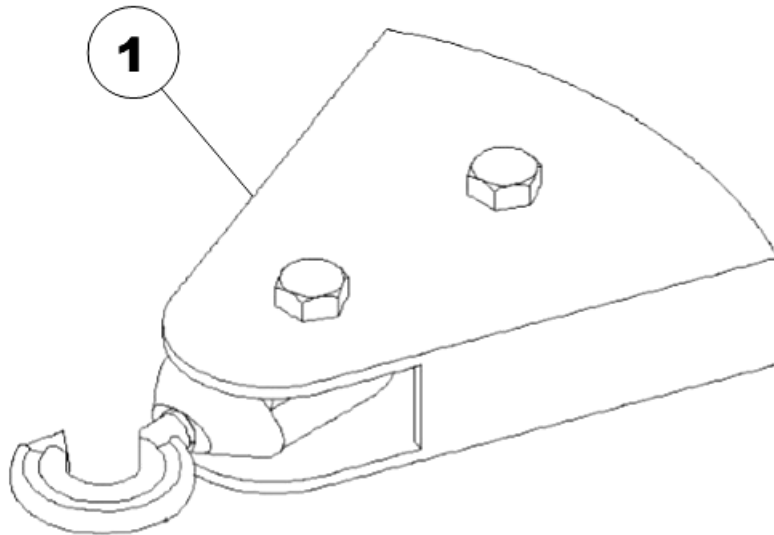


This page has been left blank for formatting purposes

Section A – Wire Rope

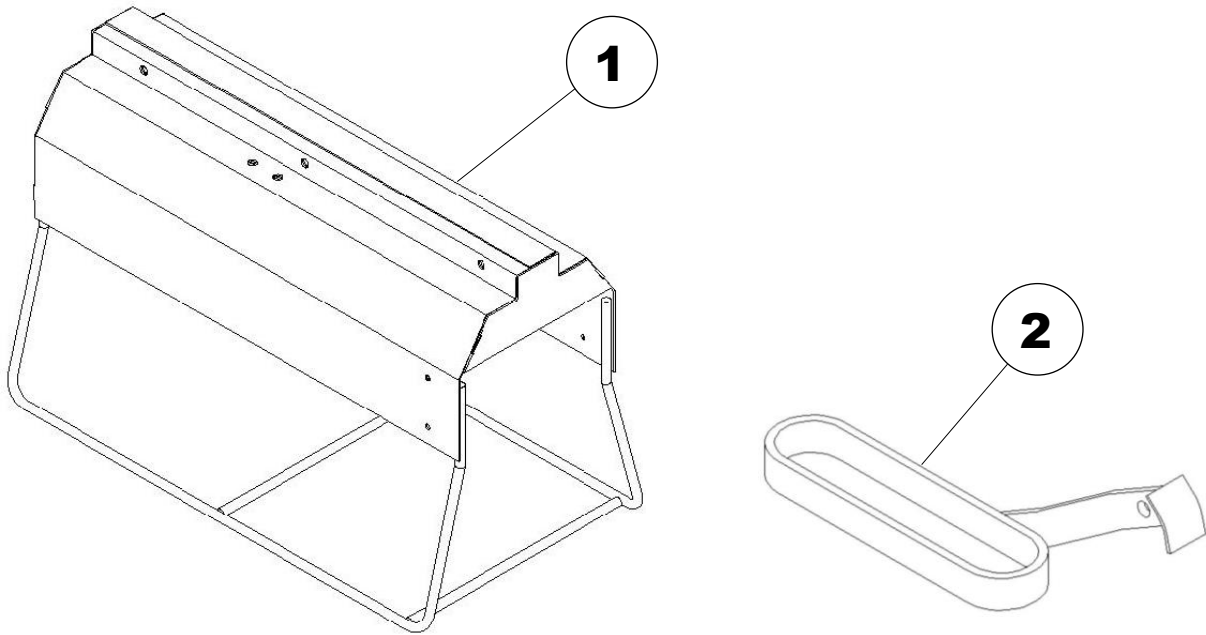


Item	Part Number	Description	Notes
1	40-44	Kit, Wire Rope ¼" NR 235'	Includes items 2 - 4
2	20-2	Cable Weight, 4 ½" 5Lbs	----
3	00000000000244	Shackle, SPA GALV 3/8"	----
4	00000000001630	Hook, 1.5 Ton Swivel w/Latch	Includes item 5
5	00000000000061	Safety Latch	----



Item	Part Number	Description	Notes
1	70-9	Double Rope Kit, 1200Lbs	Includes items 2 & 3
2	20-144	Decal, Warning DBLE Rope Pulley	Not Shown
3	20-178	Decal, Weight Capacity 1200Lbs	Not Shown

Section B – Shroud Structure & Up Limit Bar

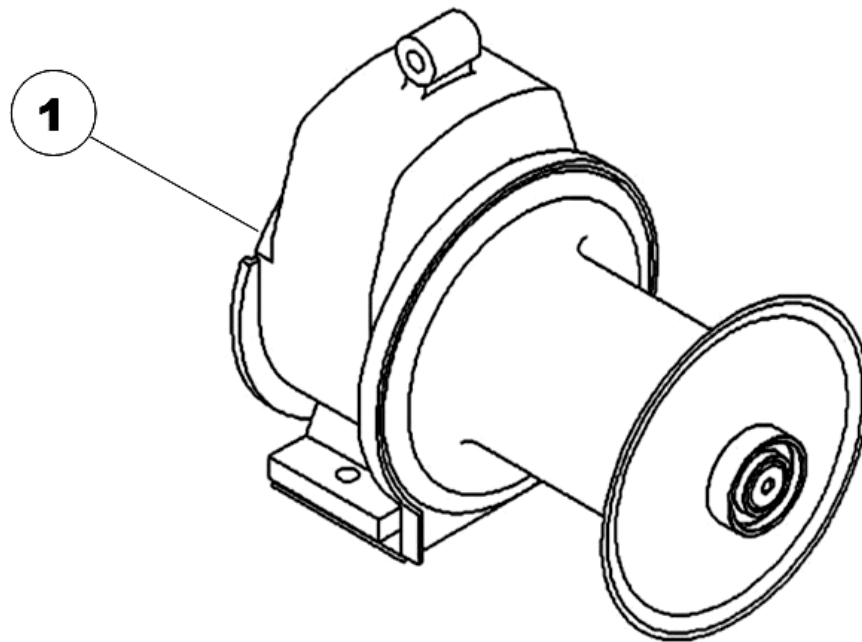


Item	Part Number	Description	Notes
1	40-18	Shroud, Standard Complete	----
2	30-56	Up Limit Bar, 11" x 2 7/8"	----
3	30-116	Decal Kit, Gemini 220	Not Shown

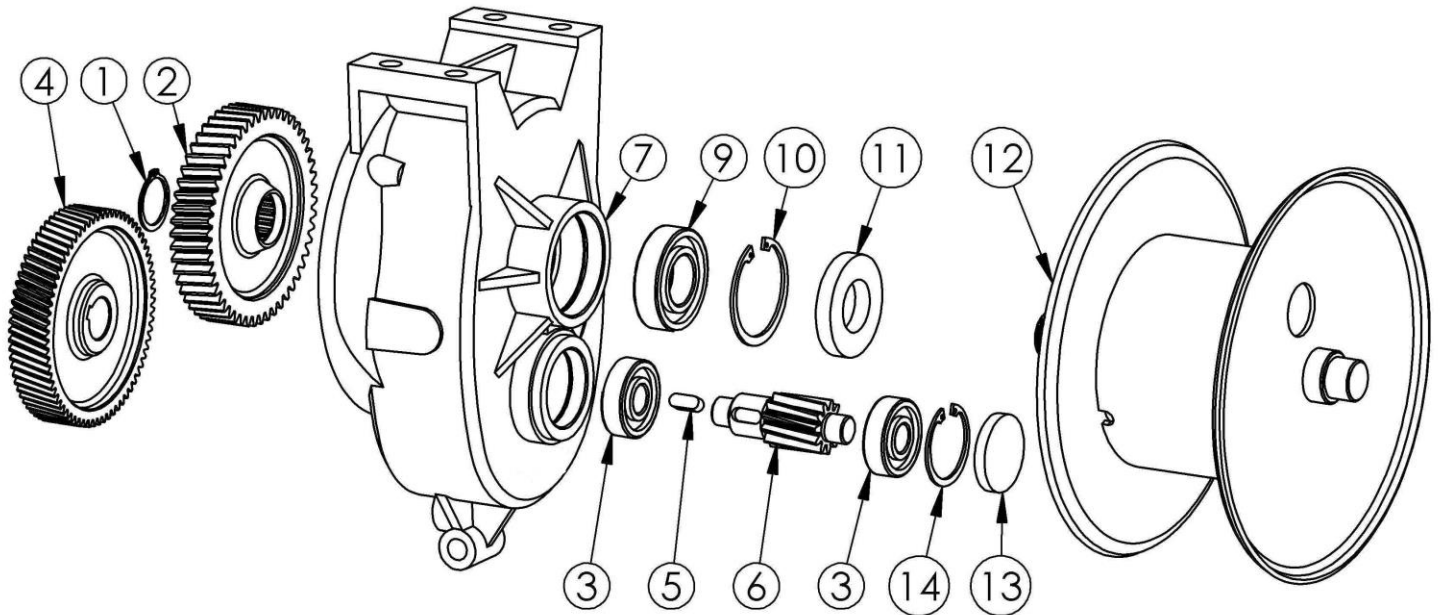


This page has been left blank for formatting purposes

Section C – Transmission & Drum



Item	Part Number	Description	Notes
1	20-154	Trans/Drum Assy, M290/M500	Includes item 1-15 on pages 6 to 7

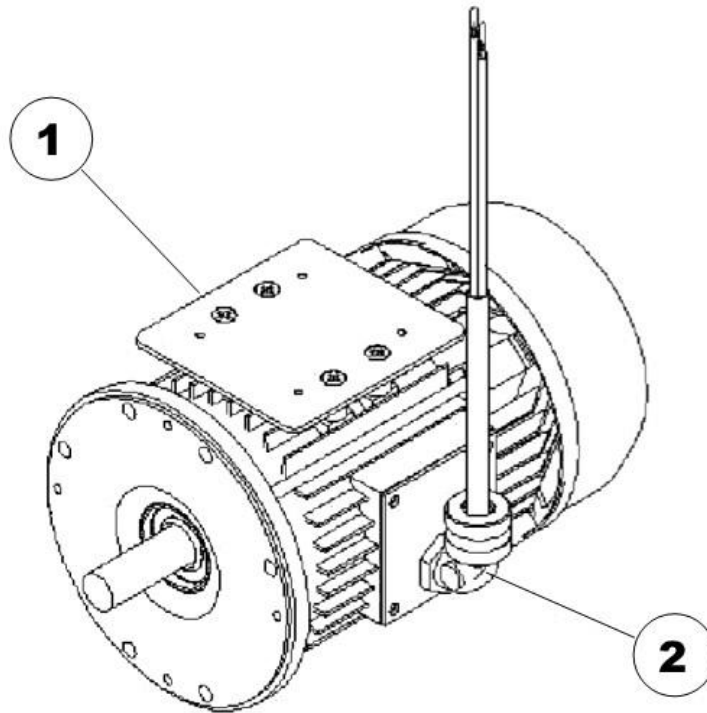


Item	Part Number	Description	Notes
1	10-196	Retaining Ring, M290	----
2	00000000001801	Gear, Drum M290/M500/T500	----
3	10-197	Bearing, 6306-2ZR-C3	----
4	10-94	Gear, Intermediate M290/M500	----
5	----	Key	Not Sold Separately (BZ1802)
6	00000000001802	Gear, Inter Shaft M290/M500/T500	Includes item 5
7	----	Housing	Not Sold Separately (20-154)
8	10-188	Spacer, M200/M290/M500	----
9	10-180	Bearing, 6206Z	----
10	10-181	Retaining Ring, M290/M500	----
11	10-182	Seal, 32-62-10	----
12	10-146	Drum, M290	----
13	10-192	Seal, D7194 47x7	----
14	10-193	Retaining Ring, M290/M500	----
15	00000000000523	Bearing, 6204-LLU-C3	Not Shown

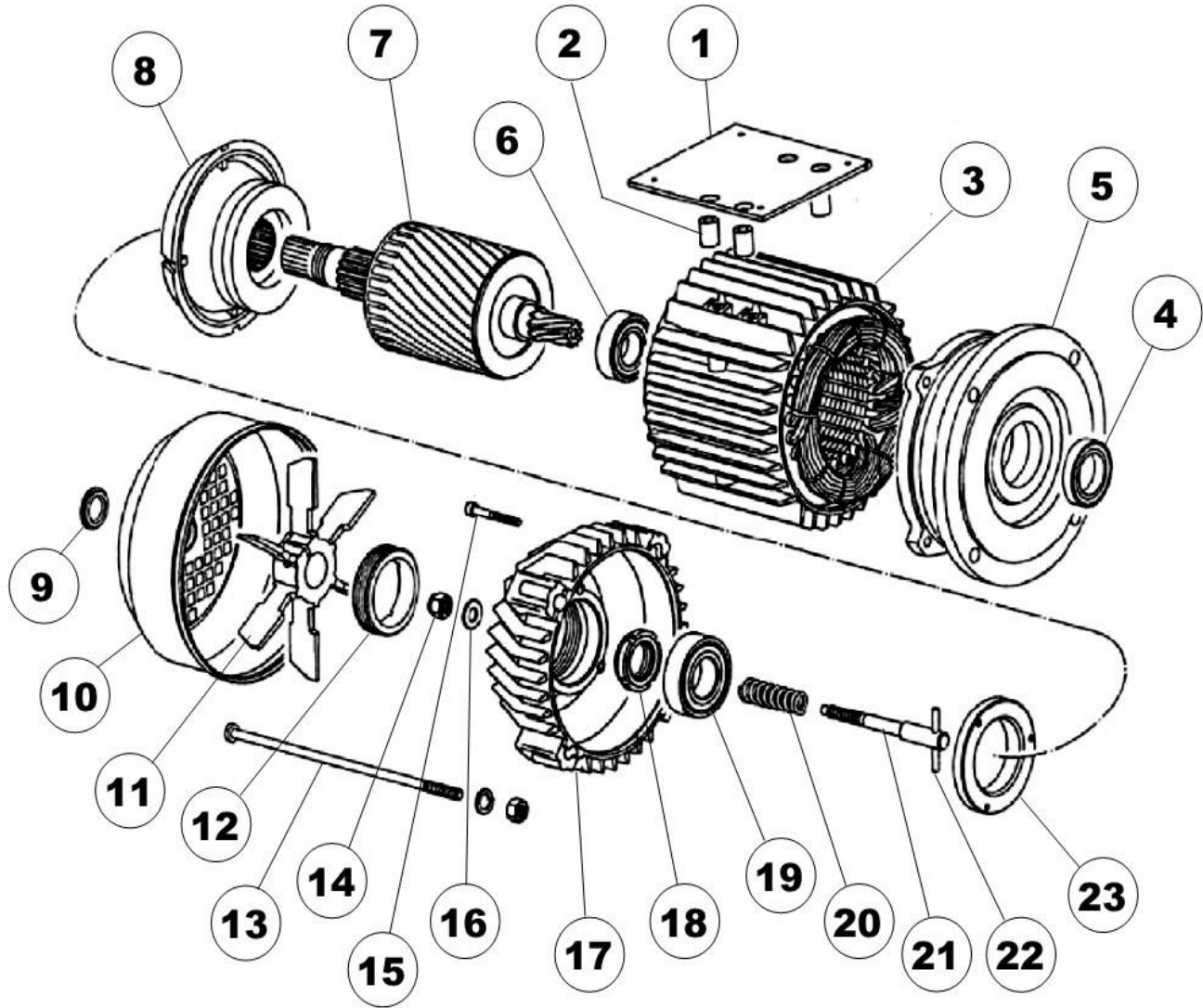


This page has been left blank for formatting purposes

Section D – Motor & Brake



Item	Part Number	Description	Notes
1	30-873	Motor/Brake, M290 (220V)	Includes item 2 and items 1-23 on pages 10 to 11
2	30-7	Motor Connector	----



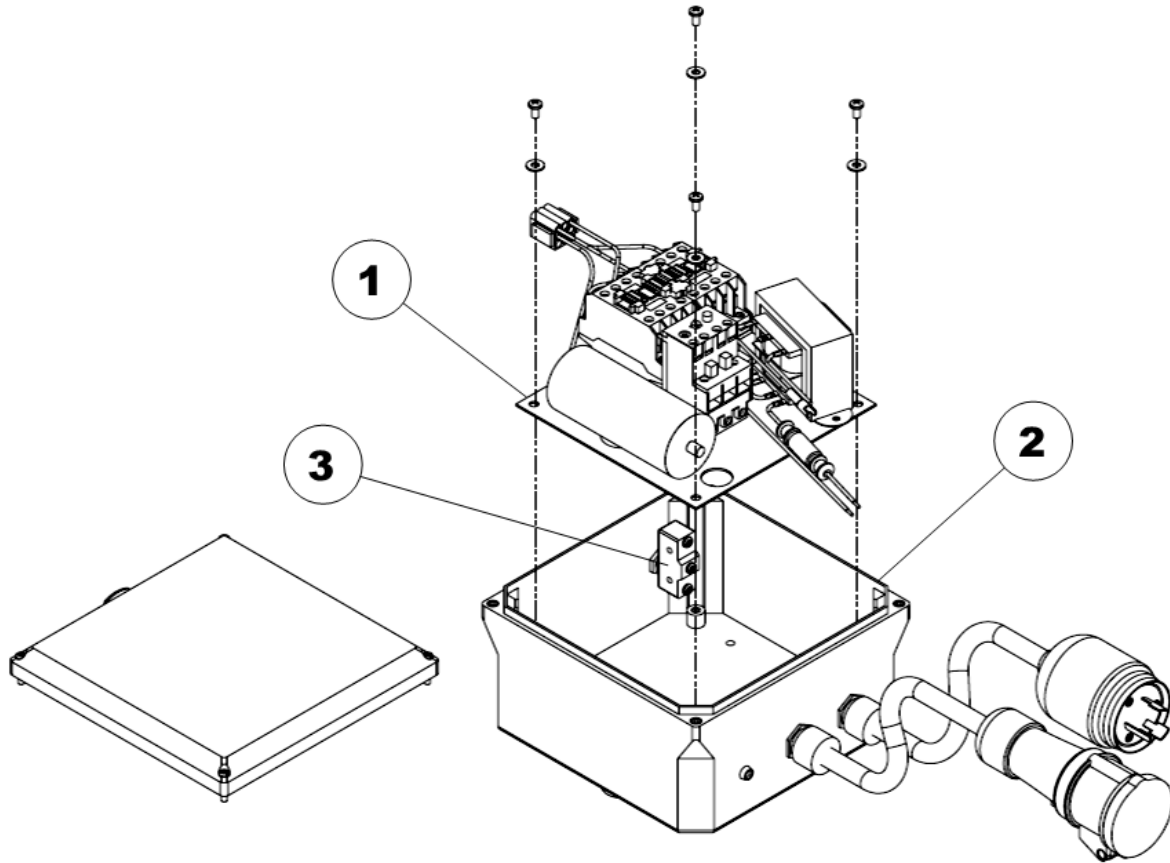
Item	Part Number	Description	Notes
1	----	Plate	Not Sold Separately (10-139A)
2	----	Spacer	Not Sold Separately (10-139A)
3	10-139A	Stator, M290 (220VAC)	----
4	00000000000808	Seal, 25x52x7	----



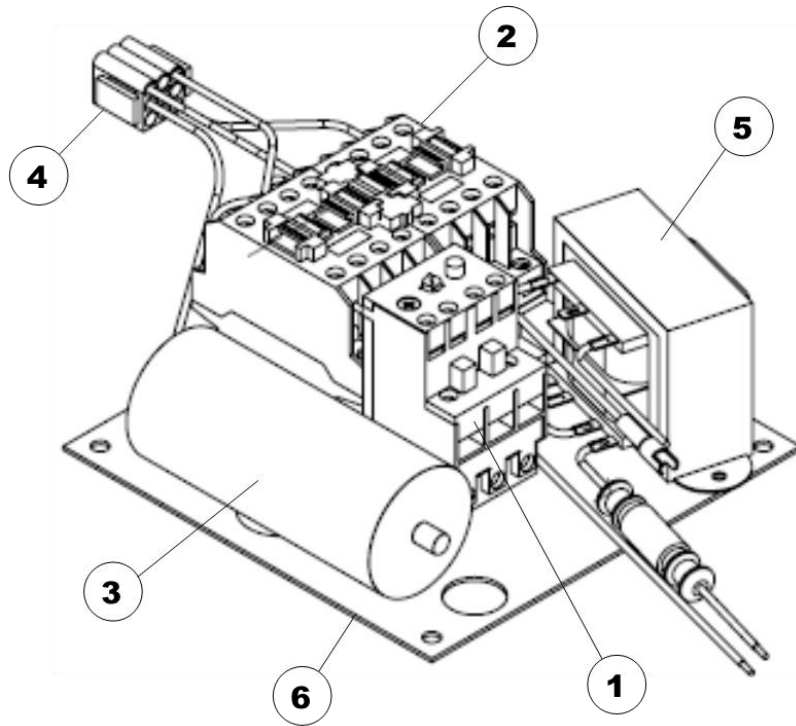
Item	Part Number	Description	Notes
5	----	Front Flange	Not Sold Separately (30-873)
6	000000000000523	Bearing, 6205-2RS-C3	----
7	10-121-1	Rotor/Brake, M290	Includes items 6, 8, 12, & 14-23
8	20-55	Brake Block, M290/M500	----
9	20-57	Plug, Fan Cover	----
10	20-56	Cover, Fan M290/M500/T500	----
11	20-58	Fan, M290/M500/T500	----
12	10-49	Ring, Adjuster M290	----
13	10-48	Tie Rod, M290	----
14	00000000002034	Nut, Locking LH M5x40	----
15	000000000000008	Bolt, Socket Head M5x40	----
16	00000000002196	Washer, Flat M8	----
17	10-55	End Cap, Motor M290/M500/T500	----
18	10-53	Ring, Self-Locking M290/M500/T500	----
19	10-180	Bearing, 6206-C2R-C3	----
20	10-152	Spring, Brake M290/M500	----
21	20-86	Brake Tension Kit, M290/M500	Includes items 14, 16, 20, & 22
22	----	T-Rod	Not Sold Separately (20-86)
23	10-54	Ring, Air Gap Adjust M290/M500/T500	----

This page has been left blank for formatting purposes

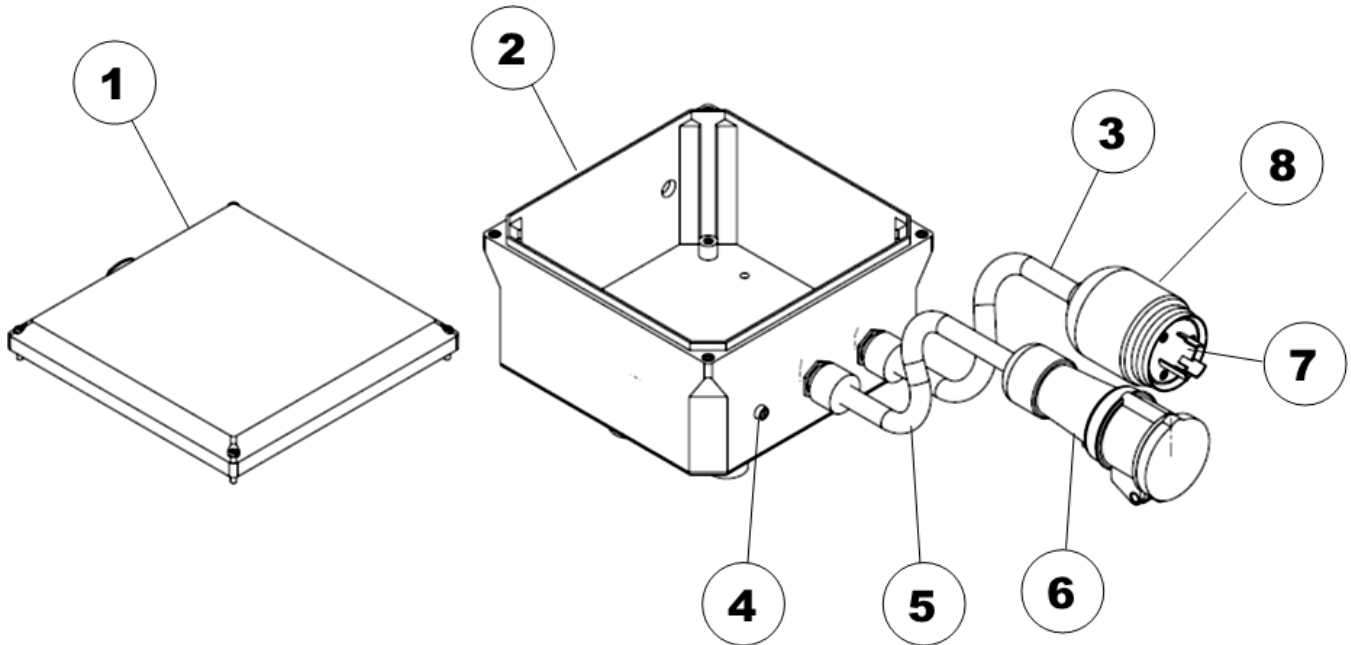
Section E – Electrical Control System



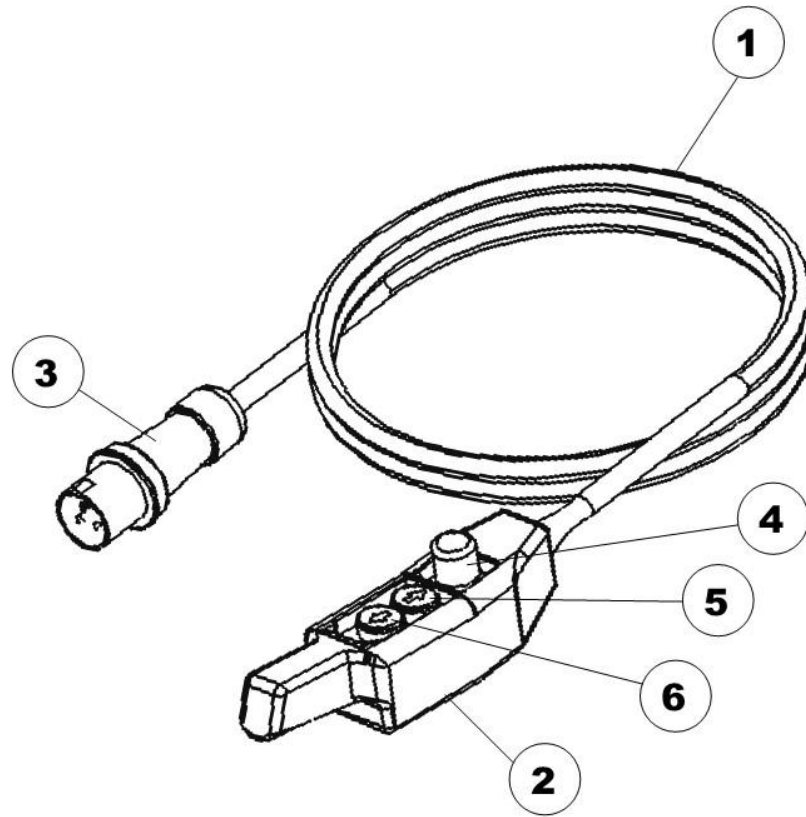
Item	Part Number	Description	Notes
1	30-52	Plate, Base Assy Gemini+ 220	Includes Items 1-8 on Page 14
2	30-37	Enclosure, Assy Gemini+ 220	Includes Items 2-8 on Page 15
3	00000000000073	Limit Switch, Roller Plunger	----
4	30-116	Decal Kit, Gemini+ 220	----



Item	Part Number	Description	Notes
1	00000000001483	Overload, 9-14A	**Previous Overload was discontinued in 2009, any units older than 2009 will need to purchase New Overload plus Items 2, 6, & 7**
2	00000000001479	Contactors, 30A 3NO/1NC	Sold Separately (2 Required) **Previous Contactors was discontinued in 2009, any units older than 2009 will need to purchase both the UP and DOWN Contactor plus Items 1, 6, & 7 **
3	20-14-1	Capacitor, 70Mf W/Screw MT	----
4	40-15	Harness, Motor Connector	----
5	30-134	Transformer Assy, M290 220V	----
6	----	Base Plate	Not Sold Separately (30-16)
7	40-23	Din Rail, Portable Hoist	Not Shown
8	00000000001481	Interlock, Mechanical FRT MT	Not Shown



Item	Part Number	Description	Notes
1	000000000000070	Enclosure, Lid 8x8	----
2	30-37-1	Enclosure, Pre-drilled Gemini+ 220	"Pre-drilled"
3	30-8	Cord, Power Assy 220V/20A TWL	Includes Item 7 & 8
4	40-5	LED, Indicator Assy	----
5	40-6	Cord, Portables Pendant Assy	Includes Item 6
6	000000000000035	Connector, Female Blue	----
7	000000000000076	Plug, Male 220V/20A TWL	----
8	000000000001888	Plug Cover, Hubbell 110/220	----
9	30-116	Decal Kit, Gemini+ 220	Not Shown

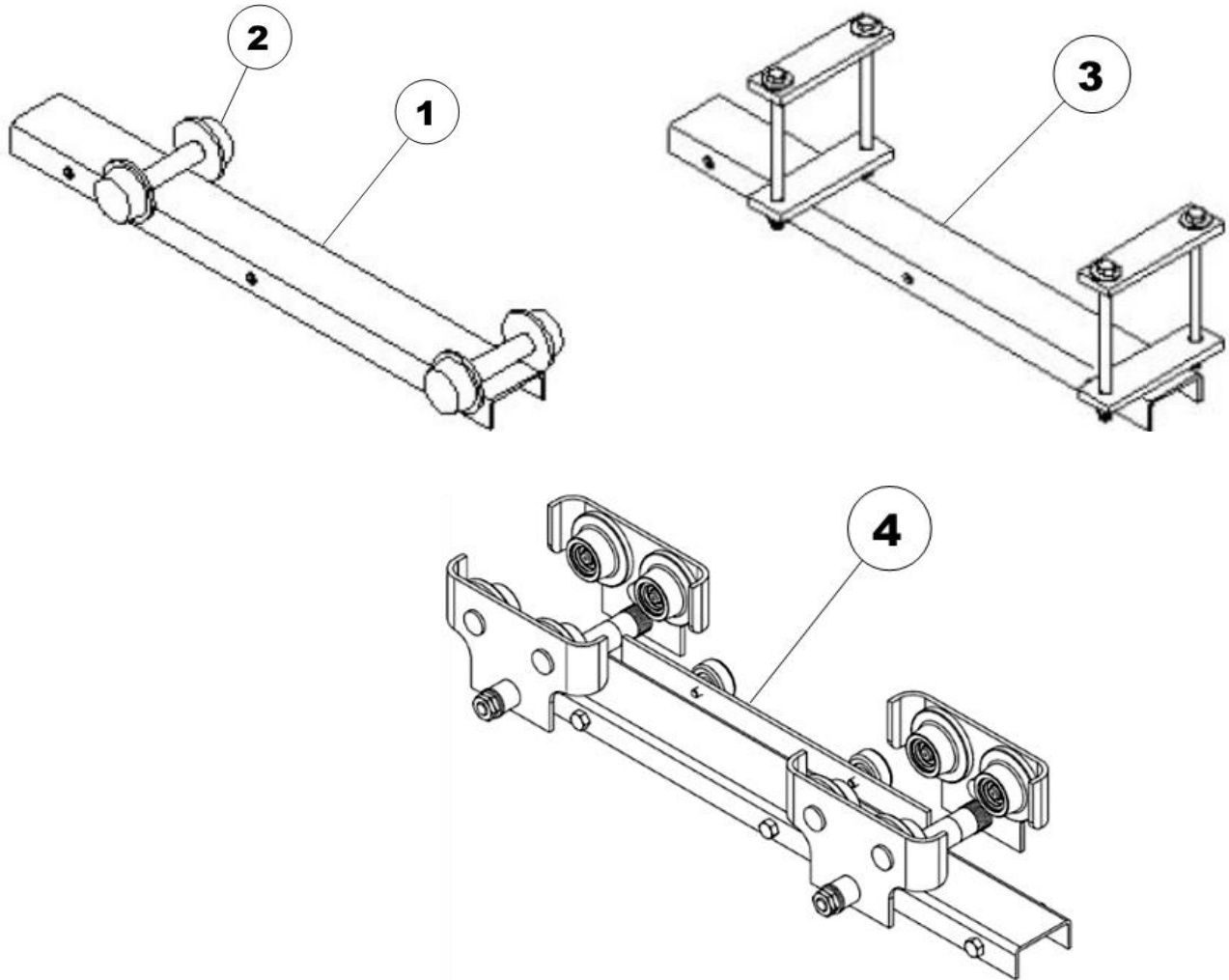


Item	Part Number	Description	Notes
1	50-90-1	Pendant, Portables Discrete	Includes Item 2-9
2	00000000001711	Housing, Pendant Portables	Includes items 4-8
3	00000000000034	Plug, Male Pendant	----
4	00000000001025	Button, E-stop Pendant	----
5	00000000002156	Button, Up Pendant Portables	White Button Face w/Boot
6	00000000002157	Button, Down Pendant Portables	Black Button Face w/Boot
7	10-219	Contact Block, NC Red	Not Shown Sold Separately (3 Required)
8	10-678	Contact Block, NO Green	Not Shown Sold Separately (2 Required)
9	10-712	Decal Kit, Pendant	Not Shown



This page has been left blank for formatting purposes

Section F – Mounting Options



Item	Part Number	Description	Notes
1	50-7	Roller Top, Assembly STD	Includes item 2
2	20-71	Roller, M80	Sold Separately (4 Required)
3	60-8	I-beam Fixed Top Bracket	----
4	60-25	Trolley, 1 Ton w/Guide	----