

**MAX CLIMBER 2500  
MATERIAL HOIST / TRANSPORT PLATFORM**



For more than 25 years, *Beta Max* has provided safe, reliable material and passenger lifting solutions to the construction, maintenance and restoration industries.

Beta Max now introduces the *Max Climber 2500* Material Hoist / Transport Platform system which is the perfect material hoist for any project where lifting general building materials is required or for projects which include:

**MASONRY  
RESTORATION &  
RENOVATION  
GLAZING  
SCAFFOLDING**



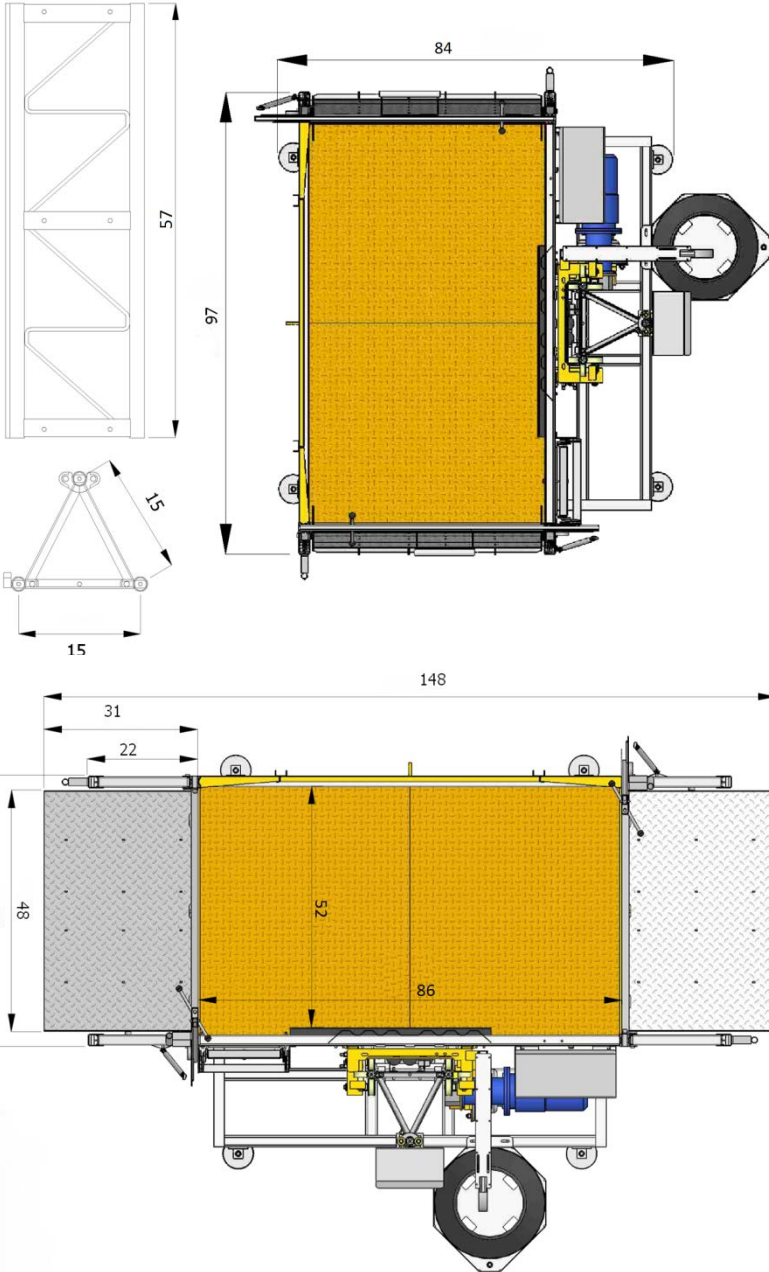
**Product Features & Benefits:**

- Dual two speed motor drive system
- Tandem rollers for better load distribution
- Heavy duty galvanized mast sections
- Side and/or front loading basket
- Unique open/close system for unloading ramp
- Side fencing on unloading ramp for worker safety
- Easy access to electrical panels for maintenance
- Heavy gauge aluminum loading ramps & rugged basket floor
- Certified safety brake system
- Drop test facility with remote pendant
- Integrated installation platform on board material basket
- Roof enclosure to ensure worker safety (Optional)

# MAX CLIMBER 2500 HOIST SPECIFICATIONS



Max Capacity.....2500lbs.  
 Basket Dimensions.....52" x 86"  
 Anchoring Distance.....every 20ft.  
 Operating Speed.....2 speed motor at 35 fpm and 70 fpm  
 Power Requirements.....220v/3 Phase  
 Mast Sections.....115lbs



The platform is equipped with loading & unloading ramps. Above left, the loading ramp is shown fitted on the front vs. the end. On the right, the hoist is pictured with an integrated installation platform. Above right the unloading ramp and safety bar is shown.

All Beta Max Hoist Systems meet or exceed ANSI & OSHA specifications.

